

Metal Oxide Varistor (MOV)

APPROVAL SHEET

PRODUCT NAME: Metal Oxide Varistor

DOC. NO : POE-V02-00-E-03

PART NUMBER: SR Series

Issue Date: Feb.15,2025

RoHS

Halogen Free

CUSTOMER APPROVAL:

Revised Record Sheet

Date	Version	Description	page
Sep.20,2022	POE-V02-00-E-00	First edition	ALL
Feb.05,2024	POE-V02-00-E-01	Bulk D&H dimension correction Tape D&A&H1 dimension correction	3 16~18
Aug.31,2024	POE-V02-00-E-02	Dimension 05D,5E H1max 10.5mm Tmax5.7mm Dimension 07D,7E Tmax5.7mm Update address	3 3 29
Feb.15,2025	POE-V02-00-E-03	Modify Impulse Life : 5D series & 7D series SR820K05D TO SR471K05D→SR820K05D TO SR681K05D SR820K07D TO SR471K07D→SR820K07D TO SR681K07D	20



Metal Oxide Varistor (MOV)

How to Order

(If specific item, please contact sales.)

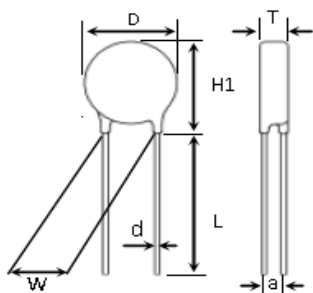
SR	241	K	10	D	S	20C	N	E	E	N
Type Code	Varistor Voltage	Tolerance	Disk Size code	Disk type	Lead style	Lead Cutting & Taping Code	Lead space+Tol. (mm)	Lead Material (mm)	Coating	Special code
SR: Walsin Varistor	(DC volt) (From 180 to 112) Two significant digits Followed by no. of zeros 180=18volt 101=100volt 102=1000volt	K :±10%	05:5mm 07:7mm 10:10mm 14:14mm 18:18mm 20:20mm 25:25mm	D:Standard E:High Energy	S : Straight Lead L : Inline Crimped O: Outward Crimped I : Inward Crimped	Taping Straight lead: AMG:P=25.4mm, Ammo TMG:P=25.4mm, Reel JNE:P=12.7mm, Ammo KNE:P=12.7mm, Reel Kink lead: AMD:P=25.4mm, Ammo TMD:P=25.4mm, Reel JNC:P=12.7mm, Ammo KNC:P=12.7mm, Reel Bulk 20C:20.0mm min 10A:10.0±0.5mm 10B:10.0±1.0mm 03A:3.0±0.5mm 03B:3.0±1.0mm 3EA:3.5±0.5mm 3EB:3.5±1.0mm	5:5.0±0.5 E:5.0±0.8 F:5.0±1.0 7:7.5±0.5 M:7.5±0.8 N:7.5±1.0 R:10.0±0.5 0:10.0±1.0 T:10.0±0.8 X:12.7±1.0	A:0.6 CU wire B:0.8 CU wire C:1.0 CU wire D:0.6 CP wire E:0.8 CP wire F:1.0 CP wire	E:Epoxy coating	N: N/A

Dimensions Quick Reference: (Detail spec. in page 4~13)

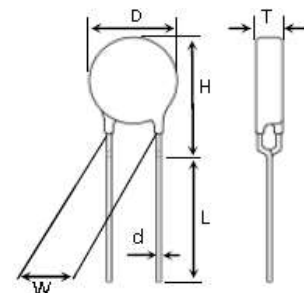
Series	5D,5E	7D,7E	10D,10E	14D,14E	20D,20E
Dmax	7.0	9.5	14.0	17.5	24.0
d(±0.05)	0.6	0.6	0.8	0.8	1.0
*W	5.0	5.0	7.5	7.5	10.0
Hmax	12.5	14.5	19.0	22.5	29.0
H1max	10.5	12.0	17.0	20.5	28.0
Tmax	5.7	5.7	7.8	8.0	8.4

*W(±1.0) for bulk packing. *W(±0.8) for Tape Ammo Box & Tape Reel packing. **If specific item's dimensions, please contact sales.

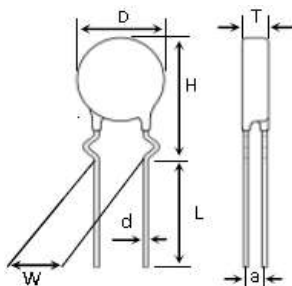
S : Straight Lead



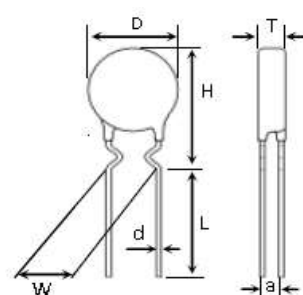
L : Inline Crimped



O : Outward Crimped



I : Inward Crimped



■ Characteristics

- High performance transient voltage suppression
- Short response time to surge voltage
- Low standby power dissipation
- Excellent clamping characteristics
- High performance withstanding surge currents
- High reliability
- UL, cUL, VDE and CQC recognized

■ Definition of Varistor Terms

Rated RMS Voltage, Rated DC Voltage :

The maximum designated values of power system voltage that may be applied continuously between the terminals of a device.

Varistor Voltage :

Test characteristic that is used to classify varistors by type. A test current of 1mA DC is typically used to determine varistor voltage classification type. Varistor voltage clamping characteristics can be defined at various test levels.

Rated Peak Single Pulse Transient Current :

Maximum surge current, 8/20 μ s waveform which a varistor is rated to withstand for a single surge.

Rated Single Pulse Transient Energy :

Maximum allowable energy for a single impulse (see specified waveforms).

Maximum Clamping Voltage :

Measured peak voltage across the device terminals when a current impulse of specified amplitude and waveform is conducted through the varistor.

Typical Capacitance :

Typical capacitance values are measured at a test frequency of 1kHz. Capacitance values are only for reference purpose only, not subject to outgoing inspection.

■ Applications

- Surge protection in:
 - consumer electronics
 - industrial electronics
 - communication electronics
 - measuring and controlling systems
 - electronic home appliances
- Protection against surges induced by lightning striking incoming power lines.
- Suppression of surges caused by switching inductive loads such as transformers, relays and coils.
- Protection of rectification diodes, SCRs, power transistors, semiconductor devices, etc.

■ General Characteristics

Storage Temperature : -40°C to $+125^{\circ}\text{C}$

Operating Ambient Temperature : -40°C to $+85^{\circ}\text{C}$ (without derating)

Maximum Voltage-Temperature Coefficient : $< -0.05\% / \text{C}$

Insulation Resistance : 1000 Mega-ohm minimum

Hi Pot (Leads To Case, 1 Min.) : 2500 VDC

Typical Response Time : < 25 Nano-seconds

Epoxy Rating : 94V-0

Current/Energy Derating ($> 85^{\circ}\text{C}$) : $-2.5\% / \text{C}$

DC Leakage Current : 200 μA maximum (at rated DC working voltage)

Solder ability : MIL-STD-202F

■ Storage

Storage temperature: $0\sim 40^{\circ}\text{C}$

Relative humidity: $< 85\%$ annual average

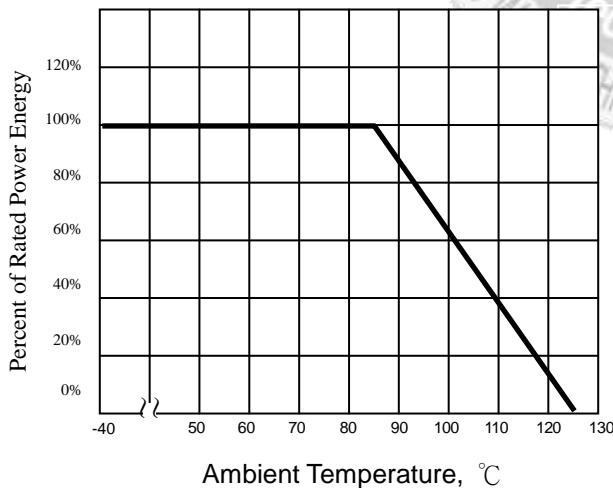
Use within the period: 6 months maximum after receiving

Avoid contamination surfaces during storage, handling and processing.

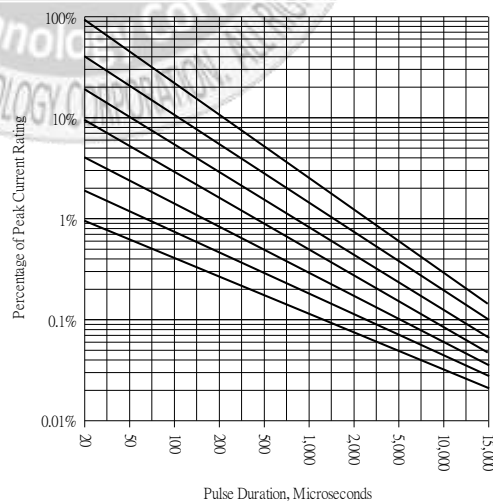
Avoid long-term storage in harmful environments, will can affect the function during operation

Failure to follow the above cautions may result, worst case, in a short circuit and cause fuming or partial dispersion when the product is used

■ Energy Derating Versus Temperature



■ Peak Current Per Pulse Versus Pulse Duration



Number of Pulses on Order from 10¹ to 10⁶ Respectively:

- 1 Pulse
- 10 Pulses
- 10² Pulses
- 10³ Pulses
- 10⁴ Pulses
- 10⁵ Pulses
- 10⁶ Pulses

Varistors – 5D Series

Certified Type Number	Maximum Allowable Voltage		Varistor Voltage		Withstanding Surge Current (8/20 μ S)		Max. Clamping Voltage (8/20 μ S)		Maximum Energy		Typical Capacitance	Power Dissipation Ratings	Safety Approval	Dimension			
	ACrms	DC	DC Volts		1 time	2 times	Vc	Ip	2ms	10/1000 μ s	@1kHz	P		Dmax	Tmin	Tmax	a \pm 1
	Volts	Volts	Min	Max	Amps		Volts	Amps	Joules		PF	W		mm			
SR180K05D	11	14	16	20	100	50	36	1	0.4	0.6	1500	0.01	Δ ☆	7	1.6	3.3	1.2
SR220K05D	14	18	20	24	100	50	43	1	0.6	0.8	1260	0.01	Δ ☆	7	1.7	3.4	1.3
SR270K05D	17	22	24	30	100	50	53	1	0.7	0.9	1050	0.01	Δ ☆	7	1.8	3.5	1.4
SR330K05D	20	26	30	36	100	50	65	1	0.9	1.2	850	0.01	Δ ☆	7	1.9	3.5	1.2
SR390K05D	25	31	35	43	100	50	77	1	1.1	1.3	600	0.01	Δ ☆	7	2	3.6	1.3
SR470K05D	30	38	42	52	100	50	93	1	1.4	1.6	500	0.01	Δ ☆	7	2.1	3.6	1.5
SR560K05D	35	45	50	62	100	50	110	1	1.5	1.9	400	0.01	Δ ☆	7	2.2	3.7	1.6
SR680K05D	40	56	61	75	100	50	135	1	1.8	2.3	360	0.01	Δ ☆	7	2.3	3.9	1.8
SR820K05D	50	66	74	90	400	200	135	5	2.4	3	350	0.15	Δ ☆	7	1.6	3.3	1.2
SR101K05D	60	85	90	110	400	200	165	5	2.4	3.5	320	0.15	Δ ☆	7	1.7	3.3	1.8
SR121K05D	75	102	108	132	400	200	200	5	3	5	250	0.15	Δ ☆	7	1.8	3.4	2
SR151K05D	95	127	135	165	400	200	250	5	3.5	5.5	180	0.15	Δ ☆	7	1.8	3.4	2.3
SR181K05D	120	160	170	207	400	200	320	5	4.2	8	155	0.15	Δ ☆	7	2	3.5	1.5
SR201K05D	130	175	185	225	400	200	340	5	5	8.5	140	0.15	Δ ☆	7	2	3.6	1.6
SR221K05D	140	180	198	242	400	200	360	5	6	9	125	0.15	Δ ☆	7	2.1	3.6	1.6
SR241K05D	150	200	216	264	400	200	395	5	6.5	10	115	0.15	Δ ☆	7	2.2	3.7	1.8
SR271K05D	180	230	255	311	400	200	475	5	7.5	11	105	0.15	Δ ☆	7	2.3	3.8	2
SR301K05D	195	250	270	330	400	200	525	5	8	11.5	95	0.15	Δ ☆	7	2.4	3.9	1.7
SR331K05D	210	275	297	363	400	200	540	5	8.5	11.7	85	0.15	Δ ☆	7	2.6	4.1	1.8
SR361K05D	230	300	324	396	400	200	595	5	9	13	80	0.15	Δ ☆	7	2.7	4.4	1.9
SR391K05D	250	330	351	429	400	200	650	5	10	15	75	0.15	Δ ☆	7	2.8	4.5	2
SR431K05D	275	370	387	473	400	200	710	5	11	16	65	0.15	Δ ☆	7	3	4.7	2.1
SR471K05D	300	385	423	517	400	200	775	5	13	19	55	0.15	Δ ☆	7	3.2	4.9	2.3
SR511K05D	320	420	459	561	400	200	865	5	15	21	39	0.15	Δ ☆	7	3.3	5.1	2.4
SR561K05D	360	470	522	638	400	200	960	5	17	25	36	0.15	Δ ☆	7	3.4	5.2	2.6
SR621K05D	390	505	558	682	400	200	1040	5	19	27	33	0.15	Δ ☆	7	3.5	5.4	2.8
SR681K05D	420	560	612	748	400	200	1120	5	21	30	30	0.15	Δ ☆	7	4	5.7	3

Remark:

All parts approved as follows:

- (1) Δ : **UL 1449** recognized (File # E309297).
- (2) ☆: **cUL (CSA 22.2 #1 certified** (File # E309297).
- (3)**CQC** recognized for all part numbers (CQC04001010926)

Varistors – 7D Series

Type Number	Maximum Allowable Voltage		Varistor Voltage		Withstanding Surge Current (8/20 μ S)		Max. Voltage (8/20 μ S)		Maximum Energy		Typical Capacitance	Power Dissipation Ratings	Safety Approval	Dimension			
	ACrms	DC	DC Volts		1 time	2 times	Vc	Ip	2ms	10/1000 μ s	@1kHz	P		Dmax	Tmin	Tmax	a \pm 1
	Volts	Volts	Min	Max	Amps		Volts	Amps	Joules		PF	W		mm			
SR180K07D	11	14	16	20	250	125	36	2.5	0.8	1	2900	0.02	Δ ☆ ◇	9.5	1.6	3.4	1.2
SR220K07D	14	18	20	24	250	125	43	2.5	0.9	1.3	2400	0.02	Δ ☆ ◇	9.5	1.7	3.5	1.3
SR270K07D	17	22	24	30	250	125	53	2.5	1	1.4	1800	0.02	Δ ☆ ◇	9.5	1.8	3.6	1.4
SR330K07D	20	26	30	36	250	125	65	2.5	1.2	1.7	1500	0.02	Δ ☆ ◇	9.5	1.9	3.6	1.2
SR390K07D	25	31	35	43	250	125	77	2.5	1.5	2.1	1230	0.02	Δ ☆ ◇	9.5	2	3.7	1.3
SR470K07D	30	38	42	52	250	125	93	2.5	1.8	2.5	950	0.02	Δ ☆ ◇	9.5	2.1	3.7	1.5
SR560K07D	35	45	50	62	250	125	110	2.5	2.2	3.1	890	0.02	Δ ☆ ◇	9.5	2.2	3.9	1.6
SR680K07D	40	56	61	75	250	125	135	2.5	2.5	3.8	850	0.02	Δ ☆ ◇	9.5	2.3	4.1	1.8
SR820K07D	50	66	74	90	1200	600	135	10	3.5	5.5	830	0.25	Δ ☆ ◇	9.5	1.6	3.3	1.2
SR101K07D	60	85	90	110	1200	600	165	10	4	6.5	730	0.25	Δ ☆ ◇	9.5	1.7	3.3	1.8
SR121K07D	75	102	108	132	1200	600	200	10	5	7.8	570	0.25	Δ ☆ ◇	9.5	1.8	3.4	2
SR151K07D	95	127	135	165	1200	600	250	10	6.5	9.7	400	0.25	Δ ☆ ◇	9.5	1.8	3.4	2.3
SR181K07D	120	160	170	207	1200	600	300	10	8.8	12	305	0.25	Δ ☆ ◇	9.5	2	3.5	1.5
SR201K07D	130	175	185	225	1200	600	340	10	10	13	275	0.25	Δ ☆ ◇	9.5	2	3.6	1.6
SR221K07D	140	180	198	242	1200	600	360	10	11	14	250	0.25	Δ ☆ ◇	9.5	2.1	3.6	1.6
SR241K07D	150	200	216	264	1200	600	395	10	11	16	230	0.25	Δ ☆ ◇	9.5	2.2	3.7	1.8
SR271K07D	180	230	255	311	1200	600	455	10	12	18	205	0.25	Δ ☆ ◇	9.5	2.3	3.8	2
SR301K07D	195	250	270	330	1200	600	505	10	13	19	185	0.25	Δ ☆ ◇	9.5	2.4	3.9	1.7
SR331K07D	210	275	297	363	1200	600	540	10	14	20	170	0.25	Δ ☆ ◇	9.5	2.6	4.1	1.8
SR361K07D	230	300	324	396	1200	600	595	10	15	25	155	0.25	Δ ☆ ◇	9.5	2.7	4.4	1.9
SR391K07D	250	330	351	429	1200	600	650	10	17	26	145	0.25	Δ ☆ ◇	9.5	2.8	4.5	2
SR431K07D	275	370	387	473	1200	600	710	10	20	28	130	0.25	Δ ☆ ◇	9.5	3	4.7	2.1
SR471K07D	300	385	423	517	1200	600	775	10	21	30	115	0.25	Δ ☆ ◇	9.5	3.2	4.9	2.3
SR511K07D	320	420	459	561	1200	600	850	10	23	32	88	0.25	Δ ☆ ◇	9.5	3.3	5.1	2.4
SR561K07D	360	470	522	638	1200	600	960	10	27	39	85	0.25	Δ ☆ ◇	9.5	3.4	5.3	2.6
SR621K07D	390	505	558	682	1200	600	1040	10	29	43	82	0.25	Δ ☆ ◇	9.5	3.6	5.4	2.8
SR681K07D	420	560	612	748	1200	600	1120	10	32	45	78	0.25	Δ ☆ ◇	9.5	4	5.7	3

Remark:

All parts approved as follows:

- (1). Δ : **UL 1449** recognized (File # E309297).
- (2) ☆: **cUL (CSA 22.2 #1 certified** (File # E309297).
- (3) ◇: **VDE** (Certificate # 40010090)
- (4)**CQC** recognized for all part numbers (CQC04001010927)

Varistors – 10D Series

Type Number	Maximum Allowable Voltage		Varistor Voltage		Withstanding Surge Current (8/20 μS)		Max. Voltage (8/20 μS)		Maximum Energy		Typical Capacitance	Power Dissipation Ratings	Safety Approval	Dimension			
	ACrms	DC	DC Volts		1 time	2 times	Vc	Ip	2ms	10/1000μs	@1kHz	P		Dmax	Tmin	Tmax	a±1
			Volts	Volts													
	mm																
SR180K10D	11	14	16	20	500	250	36	5	1.5	2.1	6000	0.05	Δ ☆ ◇	12	1.8	3.8	1.4
SR220K10D	14	18	20	24	500	250	43	5	2	2.5	5000	0.05	Δ ☆ ◇	12	1.9	4	1.5
SR270K10D	17	22	24	30	500	250	53	5	2.5	3	4000	0.05	Δ ☆ ◇	12	2	4.2	1.6
SR330K10D	20	26	30	36	500	250	65	5	3	4	3500	0.05	Δ ☆ ◇	12	2.1	4.3	1.8
SR390K10D	25	31	35	43	500	250	77	5	3.5	4.6	3100	0.05	Δ ☆ ◇	12	2.2	4.4	1.6
SR470K10D	30	38	42	52	500	250	93	5	4.5	5.5	2800	0.05	Δ ☆ ◇	12	2.3	4.4	1.7
SR560K10D	35	45	50	62	500	250	110	5	5.5	7	2400	0.05	Δ ☆ ◇	12	2.4	4.4	1.8
SR680K10D	40	56	61	75	500	250	135	5	6.5	8.2	2100	0.05	Δ ☆ ◇	12	2.5	4.6	2.1
SR820K10D	50	66	74	90	2500	1250	135	25	8	12	1600	0.4	Δ ☆ ◇	12	1.8	3.8	1.4
SR101K10D	60	85	90	110	2500	1250	165	25	10	15	1400	0.4	Δ ☆ ◇	12	1.9	3.8	2
SR121K10D	75	102	108	132	2500	1250	200	25	12	18	1200	0.4	Δ ☆ ◇	12	1.9	3.9	2.2
SR151K10D	95	127	135	165	2500	1250	250	25	16	22	1100	0.4	Δ ☆ ◇	12	2	4	2.5
SR181K10D	120	160	170	207	2500	1250	300	25	18.5	27.5	700	0.4	Δ ☆ ◇	12	2.1	4.2	1.6
SR201K10D	130	175	185	225	2500	1250	340	25	20	30	640	0.4	Δ ☆ ◇	12	2.2	4.2	1.8
SR221K10D	140	180	198	242	2500	1250	360	25	23	32	600	0.4	Δ ☆ ◇	12	2.4	4.1	1.8
SR241K10D	150	200	216	264	2500	1250	395	25	25	35	560	0.4	Δ ☆ ◇	12	2.6	4.2	2
SR271K10D	180	230	255	311	2500	1250	455	25	30	40	500	0.4	Δ ☆ ◇	12	2.4	4.3	2.2
SR301K10D	195	250	270	330	2500	1250	505	25	32	42.5	450	0.4	Δ ☆ ◇	12	2.6	4.4	1.9
SR331K10D	210	275	297	363	2500	1250	540	25	33.5	44.5	415	0.4	Δ ☆ ◇	12	2.7	4.6	2
SR361K10D	230	300	324	396	2500	1250	595	25	35	47	380	0.4	Δ ☆ ◇	12	2.8	4.9	2.1
SR391K10D	250	330	351	429	2500	1250	650	25	40	60	350	0.4	Δ ☆ ◇	12	3	5	2.2
SR431K10D	275	370	387	473	2500	1250	710	25	45	65	310	0.4	Δ ☆ ◇	12	3.2	5.1	2.3
SR471K10D	300	385	423	517	2500	1250	775	25	46	70	280	0.4	Δ ☆ ◇	12	3.3	5.3	2.5
SR511K10D	320	420	459	561	2500	1250	840	25	47	71	260	0.4	Δ ☆ ◇	12	3.5	5.4	2.6
SR561K10D	360	470	522	638	2500	1250	910	25	48	72	240	0.4	Δ ☆ ◇	12	3.6	5.5	2.8
SR621K10D	390	505	558	682	2500	1250	1025	25	49	73	150	0.4	Δ ☆ ◇	12	4	5.8	3
SR681K10D	420	560	612	748	2500	1250	1120	25	50	74	130	0.4	Δ ☆ ◇	12	4.1	6.2	3.2
SR751K10D	460	615	675	825	2500	1250	1240	25	51	75	120	0.4	Δ ☆ ◇	12	4.2	6.3	3.2
SR781K10D	485	640	702	858	2500	1250	1290	25	52	80	120	0.4	Δ ☆ ◇	12	4.3	6.2	3.3
SR821K10D	510	675	738	902	2500	1250	1350	25	55	85	110	0.4	Δ ☆ ◇	14	4.4	6.9	3.4
SR911K10D	550	745	819	1001	2500	1250	1400	25	60	93	90	0.4	Δ ☆ ◇	12	4.7	7.3	3.7
SR102K10D	625	825	900	1100	2500	1250	1650	25	65	102	80	0.4	Δ ☆ ◇	12	4.9	7.6	4
SR112K10D	680	895	962	1175	2500	1250	1800	25	70	115	70	0.4	Δ ☆ ◇	12	5.2	7.8	4.3

Remark:

All parts approved as follows:

- (1) Δ : **UL 1449** recognized (File # E309297).
- (2) ☆: **cUL (CSA 22.2 #1 certified)** (File # E309297).
- (3) ◇: **VDE** (Certificate # 40010090)
- (4) **CQC** recognized for all part numbers (CQC04001010928)

Varistors – 14D Series

Type Number	Maximum Allowable Voltage		Varistor Voltage		Withstanding Surge Current (8/20 μ S)		Max. Voltage (8/20 μ S)		Maximum Energy		Typical Capacitance	Power Dissipation Ratings	Safety Approval	Dimension			
	ACrms	DC	DC Volts		1 time	2 times	Vc	Ip	2ms	10/1000 μ s	@1kHz	P		Dmax	Tmin	Tmax	a \pm 1
	Volts	Volts	Min	Max	Amps		Volts	Amps	Joules		PF	W		mm			
SR180K14D	11	14	16	20	1000	500	36	10	3.5	4	15000	0.1	Δ \star \diamond	16.5	1.8	3.9	1.4
SR220K14D	14	18	20	24	1000	500	43	10	4	5	12000	0.1	Δ \star \diamond	16.5	1.9	4.1	1.5
SR270K14D	17	22	24	30	1000	500	53	10	5	6	8500	0.1	Δ \star \diamond	16.5	2	4.3	1.6
SR330K14D	20	26	30	36	1000	500	65	10	6	7.5	7200	0.1	Δ \star \diamond	16.5	2.1	4.5	1.9
SR390K14D	25	31	35	43	1000	500	77	10	7	8.6	6300	0.1	Δ \star \diamond	16.5	2.2	4.2	1.7
SR470K14D	30	38	42	52	1000	500	93	10	8.5	10	5500	0.1	Δ \star \diamond	16.5	2.3	4.3	1.8
SR560K14D	35	45	50	62	1000	500	110	10	10	11	4800	0.1	Δ \star \diamond	16.5	2.4	4.5	2
SR680K14D	40	56	61	75	1000	500	135	10	12	14	4000	0.1	Δ \star \diamond	16.5	2.5	4.7	2.2
SR820K14D	50	66	74	90	4500	2250	135	50	15	22	3300	0.6	Δ \star \diamond	16.5	1.8	3.8	1.4
SR101K14D	60	85	90	110	4500	2250	165	50	20	30	2900	0.6	Δ \star \diamond	16.5	1.9	3.8	2
SR121K14D	75	102	108	132	4500	2250	200	50	22	34	2600	0.6	Δ \star \diamond	16.5	2	4	2.2
SR151K14D	95	127	135	165	4500	2250	250	50	30	45	2000	0.6	Δ \star \diamond	16.5	2	4	2.5
SR181K14D	120	160	170	207	4500	2250	300	50	33	53	1400	0.6	Δ \star \diamond #	16.5	2.1	4.2	1.7
SR201K14D	130	175	185	225	4500	2250	340	50	38	60	1370	0.6	Δ \star \diamond #	16.5	2.2	4.2	1.9
SR221K14D	140	180	198	242	4500	2250	360	50	40	60	1150	0.6	Δ \star \diamond #	16.5	2.4	4.1	1.9
SR241K14D	150	200	216	264	4500	2250	395	50	45	66	1060	0.6	Δ \star \diamond #	16.5	2.6	4.2	2.1
SR271K14D	180	230	255	311	4500	2250	455	50	52	72	950	0.6	Δ \star \diamond #	16.5	2.4	4.3	2.2
SR301K14D	195	250	270	330	4500	2250	505	50	56	78	890	0.6	Δ \star \diamond #	16.5	2.6	4.4	1.9
SR331K14D	210	275	297	363	4500	2250	545	50	63	87	800	0.6	Δ \star \diamond #	16.5	2.7	4.6	2
SR361K14D	230	300	324	396	4500	2250	595	50	70	98	725	0.6	Δ \star \diamond #	16.5	2.9	4.9	2.1
SR391K14D	250	330	351	429	4500	2250	650	50	72	102	665	0.6	Δ \star \diamond #	16.5	3.1	5	2.2
SR431K14D	275	370	387	473	4500	2250	710	50	75	115	600	0.6	Δ \star \diamond #	16.5	3.3	5.1	2.3
SR471K14D	300	385	423	517	4500	2250	775	50	80	125	570	0.6	Δ \star \diamond #	16.5	3.4	5.4	2.5
SR511K14D	320	420	459	561	4500	2250	840	50	82	128	530	0.6	Δ \star \diamond #	16.5	3.5	5.4	2.6
SR561K14D	360	470	522	638	4500	2250	910	50	85	139	480	0.6	Δ \star \diamond #	16.5	3.6	5.7	2.8
SR621K14D	390	505	558	682	4500	2250	1025	50	88	142	270	0.6	Δ \star \diamond #	16.5	4	5.9	3
SR681K14D	420	560	612	748	4500	2250	1120	50	90	142	240	0.6	Δ \star \diamond #	16.5	4.1	6.2	3.2
SR751K14D	460	615	675	825	4500	2250	1240	50	100	143	210	0.6	Δ \star \diamond #	16.5	4.2	6.4	3.2
SR781K14D	485	640	702	858	4500	2250	1290	50	105	148	205	0.6	Δ \star \diamond #	16.5	4.3	6.7	3.3
SR821K14D	510	675	738	902	4500	2250	1350	50	110	157	200	0.6	Δ \star \diamond #	17.5	4.4	7	3.4
SR911K14D	550	745	819	1001	4500	2250	1400	50	120	175	175	0.6	Δ \star \diamond #	16.5	4.7	7.4	3.7
SR102K14D	625	825	900	1100	4500	2250	1620	50	130	190	145	0.6	Δ \star \diamond #	16.5	4.9	7.6	4
SR112K14D	680	895	962	1175	4500	2250	1800	50	140	215	140	0.6	Δ \star \diamond #	16.5	5.3	8	4.3

Remark:

All parts approved as follows:

- (1) Δ : **UL 1449** recognized (File # E309297).
- (2) \star : **cUL (CSA 22.2 #1 certified** (File # E309297).
- (3) \diamond : **VDE** (Certificate # 40010090)
- (4) # : **VDE/IEC 600950-1, Annex Q** (Certificate # 40010090)
- (5) **CQC** recognized for all part numbers (CQC04001010929)

Varistors – 20D Series

Type Number	Maximum Allowable Voltage		Varistor Voltage		Withstanding Surge Current (8/20 μ S)		Max. Voltage (8/20 μ S)		Maximum Energy		Typical Capacitance	Power Dissipation Ratings	Safety Approval	Dimension			
	ACrms	DC	DC Volts		1 time	2 times	Vc	Ip	2ms	10/1000 μ s	@1kHz	P		Dmax	Tmin	Tmax	a \pm 1
	Volts	Volts	Min	Max	Amps		Volts	Amps	Joules		PF	W		mm			
SR180K20D	11	14	15	21	2000	1000	36	20	10	12	27000	0.2	Δ \star \diamond	22.5	4.3	2.2	1.7
SR220K20D	14	18	19	25	2000	1000	43	20	13	15	20000	0.2	Δ \star \diamond	22.5	4.5	2.3	1.8
SR270K20D	17	22	24	30	2000	1000	53	20	15	17	15000	0.2	Δ \star \diamond	22.5	4.7	2.4	1.9
SR330K20D	20	26	30	36	2000	1000	65	20	22	22	12200	0.2	Δ \star \diamond	22.5	4.9	2.5	2.1
SR390K20D	25	31	35	43	2000	1000	77	20	24	26	10000	0.2	Δ \star \diamond	22.5	2.7	4.7	2.1
SR470K20D	30	38	42	52	2000	1000	93	20	30	33	9350	0.2	Δ \star \diamond	22.5	2.8	4.9	2.2
SR560K20D	35	45	50	62	2000	1000	110	20	35	38	8000	0.2	Δ \star \diamond	22.5	2.9	5.1	2.4
SR680K20D	40	56	61	75	2000	1000	135	20	40	43	6800	0.2	Δ \star \diamond	22.5	3	5.4	2.6
SR820K20D	50	66	74	90	6500	4000	135	100	37	48	5600	1.0	Δ \star \diamond	22.5	2.4	4.3	1.7
SR101K20D	60	85	90	110	6500	4000	165	100	38	50	4700	1.0	Δ \star \diamond	22.5	2.5	4.3	2.2
SR121K20D	75	102	108	132	6500	4000	200	100	40	55	4100	1.0	Δ \star \diamond	22.5	2.4	4.4	2.4
SR151K20D	95	127	135	165	6500	4000	250	100	50	70	3200	1.0	Δ \star \diamond	22.5	2.4	4.5	2.7
SR181K20D	120	160	170	207	6500	4000	300	100	60	85	2500	1.0	Δ \star \diamond	22.5	2.5	4.6	1.9
SR201K20D	130	175	185	225	6500	4000	340	100	70	95	2200	1.0	Δ \star \diamond	22.5	2.8	4.7	2
SR221K20D	140	180	198	242	6500	4000	360	100	75	100	2000	1.0	Δ \star \diamond	22.5	3	4.8	2
SR241K20D	150	200	216	264	6500	4000	395	100	82	110	1900	1.0	Δ \star \diamond	22.5	3.2	4.9	2.2
SR271K20D	180	230	255	311	6500	4000	455	100	90	127	1700	1.0	Δ \star \diamond	22.5	3	4.9	2.3
SR301K20D	195	250	270	330	6500	4000	505	100	100	135	1540	1.0	Δ \star \diamond	22.5	3.2	5	2.1
SR331K20D	210	275	297	363	6500	4000	540	100	110	148	1400	1.0	Δ \star \diamond	22.5	3.2	5	2.2
SR361K20D	230	300	324	396	6500	4000	595	100	120	163	1320	1.0	Δ \star \diamond	22.5	3.3	5.4	2.3
SR391K20D	250	330	351	429	6500	4000	650	100	130	180	1210	1.0	Δ \star \diamond	22.5	3.5	5.5	2.4
SR431K20D	275	370	387	473	6500	4000	710	100	140	190	1120	1.0	Δ \star \diamond	22.5	3.7	5.6	2.5
SR471K20D	300	385	423	517	6500	4000	775	100	150	220	1000	1.0	Δ \star \diamond	22.5	3.9	5.5	2.7
SR511K20D	320	420	459	561	6500	4000	840	100	152	222	950	1.0	Δ \star \diamond	22.5	3.8	5.7	2.8
SR561K20D	360	470	522	638	6500	4000	910	100	154	226	900	1.0	Δ \star \diamond	22.5	4.1	5.9	3
SR621K20D	390	505	558	682	6500	4000	1025	100	158	228	770	1.0	Δ \star \diamond	22.5	4.4	6.2	3.2
SR681K20D	420	560	612	748	6500	4000	1120	100	160	230	700	1.0	Δ \star \diamond	22.5	4.7	6.5	3.4
SR751K20D	460	615	675	825	6500	4000	1240	100	175	255	640	1.0	Δ \star \diamond	22.5	4.7	6.8	3.4
SR781K20D	485	640	702	858	6500	4000	1290	100	180	265	590	1.0	Δ \star \diamond	22.5	4.8	7	3.5
SR821K20D	510	675	738	902	6500	4000	1350	100	190	282	510	1.0	Δ \star \diamond	24	4.8	7.2	3.6
SR911K20D	550	745	819	1001	6500	4000	1400	100	215	310	430	1.0	Δ \star \diamond	22.5	5.1	7.5	3.9
SR102K20D	625	825	900	1100	6500	4000	1620	100	230	342	380	1.0	Δ \star \diamond	22.5	5.4	7.9	4.2
SR112K20D	680	895	962	1175	6500	4000	1800	100	250	383	340	1.0	Δ \star \diamond	22.5	5.8	8.4	4.5

Remark:

- (1) Δ : **UL 1449** recognized (File # E309297).
- (2) \star : **cUL (CSA 22.2 #1 certified** (File # E309297).
- (3) \diamond : **VDE** (Certificate # 400010090)
- (4) **CQC** recognized for all part numbers (CQC04001010931)

Varistors – 5E Series

Type Number	Maximum Allowable Voltage		Varistor Voltage		Withstanding Surge Current (8/20 μS)		Max. Clamping Voltage (8/20 μS)		Maximum Energy	Typical Capacitance	Power Dissipation Ratings	Safety Approval	Dimension			
	ACrms	DC	DC Volts		1 time	2 times	Vc	Ip	10/1000μs	@1kHz	P		Dmax	Tmin	Tmax	a±1
	Volts	Volts	Min	Max	Amps		Volts	Amps	Joules	PF	W		mm			
SR820K05E	50	66	74	90	800	600	135	5	3.5	355	0.15	Δ ☆	7	3.3	1.6	1.2
SR181K05E	120	160	170	207	800	600	320	5	8	130	0.15	Δ ☆	7	2	3.5	1.5
SR201K05E	130	175	185	225	800	600	340	5	8.5	120	0.15	Δ ☆	7	2	3.6	1.6
SR221K05E	140	180	198	242	800	600	360	5	9	110	0.15	Δ ☆	7	2.1	3.6	1.6
SR241K05E	150	200	216	264	800	600	395	5	10.5	100	0.15	Δ ☆	7	2.2	3.7	1.8
SR271K05E	180	230	255	311	800	600	475	5	11	90	0.15	Δ ☆	7	2.3	3.8	2
SR301K05E	195	250	270	330	800	600	525	5	12	84	0.15	Δ ☆	7	2.4	3.9	1.7
SR331K05E	210	275	297	363	800	600	540	5	13	75	0.15	Δ ☆	7	2.6	4.1	1.8
SR361K05E	230	300	324	396	800	600	595	5	16	69	0.15	Δ ☆	7	2.7	4.4	1.9
SR391K05E	250	330	351	429	800	600	650	5	17	63	0.15	Δ ☆	7	2.8	4.5	2
SR431K05E	275	370	387	473	800	600	710	5	20	57	0.15	Δ ☆	7	3	4.7	2.1
SR471K05E	300	385	423	517	800	600	775	5	21	50	0.15	Δ ☆	7	3.2	4.9	2.3
SR511K05E	320	420	459	561	800	600	865	5	22	35	0.15	Δ ☆	7	3.3	5.1	2.4
SR561K05E	360	470	522	638	800	600	960	5	23	32	0.15	Δ ☆	7	3.4	5.2	2.6
SR621K05E	390	505	558	682	800	600	1040	5	25	30	0.15	Δ ☆	7	3.5	5.4	2.8
SR681K05E	420	560	612	748	800	600	1120	5	26	27	0.15	Δ ☆	7	4	5.7	3

Remark:

All parts approved as follows:

- (1) Δ : **UL 1449** recognized (File # E309297).
- (2) ☆: **cUL (CSA 22.2 #1 certified)** (File # E309297).
- (3) **CQC** recognized for all part numbers (CQC04001010926)

Varistors – 7E Series

Type Number	Maximum Allowable Voltage		Varistor Voltage		Withstanding Surge Current (8/20 μ S)		Max. Clamping Voltage (8/20 μ S)		Maximum Energy	Typical Capacitance	Power Dissipation Ratings	Safety Approval	Dimension			
	ACrms	DC	DC Volts		1 time	2 times	Vc	I _p	10/1000 μ s	@1kHz	P		Dmax	Tmin	Tmax	a \pm 1
	Volts	Volts	Min	Max	Amps		Volts	Amps	Joules	PF	W		mm			
SR820K07E	50	66	74	90	1750	1250	135	10	7	790	0.25	Δ ☆ ◇	9.5	1.6	3.3	1.2
SR181K07E	120	160	170	207	1750	1250	320	10	16	210	0.25	Δ ☆ ◇	9.5	2	3.5	1.5
SR201K07E	130	175	185	225	1750	1250	340	10	17.5	200	0.25	Δ ☆ ◇	9.5	2	3.6	1.6
SR221K07E	140	180	198	242	1750	1250	360	10	19	190	0.25	Δ ☆ ◇	9.5	2.1	3.6	1.6
SR241K07E	150	200	216	264	1750	1250	395	10	21	170	0.25	Δ ☆ ◇	9.5	2.2	3.7	1.8
SR271K07E	180	230	255	311	1750	1250	475	10	24	150	0.25	Δ ☆ ◇	9.5	2.3	3.8	2
SR301K07E	195	250	270	330	1750	1250	525	10	26	140	0.25	Δ ☆ ◇	9.5	2.4	3.9	1.7
SR331K07E	210	275	297	363	1750	1250	540	10	28	130	0.25	Δ ☆ ◇	9.5	2.6	4.1	1.8
SR361K07E	230	300	324	396	1750	1250	595	10	32	123	0.25	Δ ☆ ◇	9.5	2.7	4.4	1.9
SR391K07E	250	330	351	429	1750	1250	650	10	35	116	0.25	Δ ☆ ◇	9.5	2.8	4.5	2
SR431K07E	275	370	387	473	1750	1250	710	10	40	108	0.25	Δ ☆ ◇	9.5	3	4.7	2.1
SR471K07E	300	385	423	517	1750	1250	775	10	42	100	0.25	Δ ☆ ◇	9.5	3.2	4.9	2.3
SR511K07E	320	420	459	561	1750	1250	865	10	46	78	0.25	Δ ☆ ◇	9.5	3.3	5.1	2.4
SR561K07E	360	470	522	638	1750	1250	960	10	47	75	0.25	Δ ☆ ◇	9.5	3.4	5.3	2.6
SR621K07E	390	505	558	682	1750	1250	1040	10	51	72	0.25	Δ ☆ ◇	9.5	3.6	5.4	2.8
SR681K07E	420	560	612	748	1750	1250	1120	10	57	69	0.25	Δ ☆ ◇	9.5	4	5.7	3

Remark:

All parts approved as follows:

- (1) Δ : **UL 1449** recognized (File # E309297).
- (2) ☆: **cUL (CSA 22.2 #1 certified** (File # E309297).
- (3) ◇: **VDE** (Certificate # 40003435)
- (4) **CQC** recognized for all part numbers (CQC04001010927)

Varistors – 10E Series

Type Number	Maximum Allowable Voltage		Varistor Voltage		Withstanding Surge Current (8/20 μ S)		Max. Clamping Voltage (8/20 μ S)		Maximu Energy 10/1000 μ s Joules	Typical Capacitance @1kHz PF	Power Dissipation Ratings P W	Safety Approval Δ ☆ \diamond	Dimension			
	ACrms Volts	DC Volts	DC Volts		1 time	2 times	Vc	Ip					Dmax	Tmin	Tmax	a \pm 1
			Min	Max	Amps		Volts	Amps					mm			
SR820K10E	50	66	74	90	3500	2500	135	25	14	1780	0.4	Δ ☆ \diamond	12	1.8	3.8	1.4
SR181K10E	120	160	170	207	3500	2500	320	25	33	460	0.4	Δ ☆ \diamond	12	2.1	4.2	1.6
SR201K10E	130	175	185	225	3500	2500	340	25	35	430	0.4	Δ ☆ \diamond	12	2.2	4.2	1.8
SR221K10E	140	180	198	242	3500	2500	360	25	39	410	0.4	Δ ☆ \diamond	12	2.4	4.1	1.8
SR241K10E	150	200	216	264	3500	2500	395	25	42	380	0.4	Δ ☆ \diamond	12	2.6	4.2	2
SR271K10E	180	230	255	311	3500	2500	475	25	49	350	0.4	Δ ☆ \diamond	12	2.4	4.3	2.2
SR301K10E	195	250	270	330	3500	2500	525	25	53	320	0.4	Δ ☆ \diamond	12	2.6	4.4	1.9
SR331K10E	210	275	297	363	3500	2500	540	25	58	300	0.4	Δ ☆ \diamond	12	2.7	4.6	2
SR361K10E	230	300	324	396	3500	2500	595	25	65	285	0.4	Δ ☆ \diamond	12	2.8	4.9	2.1
SR391K10E	250	330	351	429	3500	2500	650	25	70	270	0.4	Δ ☆ \diamond	12	3	5	2.2
SR431K10E	275	370	387	473	3500	2500	710	25	80	255	0.4	Δ ☆ \diamond	12	3.2	5.1	2.3
SR471K10E	300	385	423	517	3500	2500	775	25	85	230	0.4	Δ ☆ \diamond	12	3.3	5.3	2.5
SR511K10E	320	420	459	561	3500	2500	865	25	92	210	0.4	Δ ☆ \diamond	12	3.5	5.4	2.6
SR561K10E	360	470	522	638	3500	2500	960	25	97	170	0.4	Δ ☆ \diamond	12	3.6	5.5	2.8
SR621K10E	390	505	558	682	3500	2500	1040	25	107	146	0.4	Δ ☆ \diamond	12	4	5.8	3
SR681K10E	420	560	612	748	3500	2500	1120	25	110	136	0.4	Δ ☆ \diamond	12	4.1	6.2	3.2
SR751K10E	460	615	675	825	3500	2500	1240	25	115	124	0.4	Δ ☆ \diamond	12	4.2	6.3	3.2
SR781K10E	485	640	702	858	3500	2500	1290	25	120	120	0.4	Δ ☆ \diamond	12	4.3	6.2	3.3
SR821K10E	510	675	738	902	3500	2500	1350	25	125	110	0.4	Δ ☆ \diamond	14	4.4	6.9	3.4
SR911K10E	550	745	819	1001	3500	2500	1400	25	130	90	0.4	Δ ☆ \diamond	12	4.7	7.3	3.7
SR102K10E	625	725	900	1100	3500	2500	1620	25	145	80	0.4	Δ ☆ \diamond	12	4.9	7.6	4
SR112K10E	680	895	962	1175	3500	2500	1800	25	155	70	0.4	Δ ☆ \diamond	12	5.2	7.8	4.3

Remark:

All parts approved as follows:

- (1) Δ : **UL 1449** recognized (File # E309297).
- (2) ☆: **cUL (CSA 22.2 #1 certified** (File # E309297).
- (3) \diamond : **VDE** (Certificate # 40003435)
- (4) **CQC** recognized for all part numbers (CQC04001010928)

Varistors – 14E Series

Type Number	Maximum Allowable Voltage		Varistor Voltage		Withstanding Surge Current (8/20 μ S)		Max. Clamping Voltage (8/20 μ S)		Maximu Energy	Typical Capacitance	Power Dissipation Ratings	Safety Approval	Dimension			
	ACrms	DC	DC Volts		1 time	2 times	Vc	Ip	10/1000 μ s	@1kHz	P		Dmax	Tmin	Tmax	a \pm 1
	Volts	Volts	Min	Max	Amps		Volts	Amps	Joules	PF	W		mm			
SR820K14E	50	66	74	90	6000	4500	135	50	28	3310	0.6	Δ ☆ \diamond	16.5	1.8	3.8	1.4
SR181K14E	120	160	170	207	6000	4500	320	50	56	800	0.6	Δ ☆ \diamond #	16.5	2.1	4.2	1.7
SR201K14E	130	175	185	225	6000	4500	340	50	70	770	0.6	Δ ☆ \diamond #	16.5	2.2	4.2	1.9
SR221K14E	140	180	198	242	6000	4500	360	50	78	740	0.6	Δ ☆ \diamond #	16.5	2.4	4.1	1.9
SR241K14E	150	200	216	264	6000	4500	395	50	84	700	0.6	Δ ☆ \diamond #	16.5	2.6	4.2	2.1
SR271K14E	180	230	255	311	6000	4500	475	50	99	640	0.6	Δ ☆ \diamond #	16.5	2.4	4.3	2.2
SR301K14E	195	250	270	330	6000	4500	525	50	107	620	0.6	Δ ☆ \diamond #	16.5	2.6	4.4	1.9
SR331K14E	210	275	297	363	6000	4500	540	50	115	580	0.6	Δ ☆ \diamond #	16.5	2.7	4.6	2
SR361K14E	230	300	324	396	6000	4500	595	50	140	540	0.6	Δ ☆ \diamond #	16.5	2.9	4.9	2.1
SR391K14E	250	330	351	429	6000	4500	650	50	150	500	0.6	Δ ☆ \diamond #	16.5	3.1	5	2.2
SR431K14E	275	370	387	473	6000	4500	710	50	165	460	0.6	Δ ☆ \diamond #	16.5	3.3	5.1	2.3
SR471K14E	300	385	423	517	6000	4500	775	50	175	400	0.6	Δ ☆ \diamond #	16.5	3.4	5.4	2.5
SR511K14E	320	420	459	561	6000	4500	865	50	190	350	0.6	Δ ☆ \diamond #	16.5	3.5	5.4	2.6
SR561K14E	360	470	522	638	6000	4500	960	50	210	320	0.6	Δ ☆ \diamond #	16.5	3.6	5.7	2.8
SR621K14E	390	505	558	682	6000	4500	1040	50	215	270	0.6	Δ ☆ \diamond #	16.5	4	5.9	3
SR681K14E	420	560	612	748	6000	4500	1120	50	225	250	0.6	Δ ☆ \diamond #	16.5	4.1	6.2	3.2
SR751K14E	460	615	675	825	6000	4500	1240	50	230	230	0.6	Δ ☆ \diamond #	16.5	4.2	6.4	3.2
SR781K14E	485	640	702	858	6000	4500	1290	50	235	210	0.6	Δ ☆ \diamond #	16.5	4.3	6.7	3.3
SR821K14E	510	675	738	902	6000	4500	1350	50	240	190	0.6	Δ ☆ \diamond #	17.5	4.4	7	3.4
SR911K14E	550	745	819	1001	6000	4500	1400	50	255	170	0.6	Δ ☆ \diamond #	16.5	4.7	7.4	3.7
SR102K14E	625	725	900	1100	6000	4500	1620	50	290	165	0.6	Δ ☆ \diamond #	16.5	4.9	7.6	4
SR112K14E	680	895	962	1175	6000	4500	1800	50	310	140	0.6	Δ ☆ \diamond #	16.5	5.3	8	4.3

Remark:

All parts approved as follows:

- (1) Δ : **UL 1449** recognized (File # E309297).
- (2) ☆: **cUL (CSA 22.2 #1 certified)** (File # E309297).
- (3) \diamond : **VDE** (Certificate # 40003435)
- (4) #: **VDE/IEC 600950-1, Annex Q** (Certificate # 40003435)
- (5) **CQC** recognized for all part numbers (CQC04001010929)

Varistors – 20E Series

Type Number	Maximum Allowable Voltage		Varistor Voltage		Withstanding Surge Current (8/20 μ S)		Max. Clamping Voltage (8/20 μ S)		Maximum Energy	Typical Capacitance @1kHz	Power Dissipation Ratings P	Safety Approval	Dimension			
	ACrms	DC	DC Volts		1 time	2 times	Vc	Ip					10/1000 μ s	W	Dmax	Tmin
	Volts	Volts	Min	Max	Amps		Volts	Amps	Joules	PF	mm					
SR820K20E	50	66	74	90	10000	6500	135	100	56	5300	1.0	Δ \star \diamond	22.5	2.4	4.3	1.7
SR181K20E	120	160	170	207	12000	7500	320	100	135	1800	1.0	Δ \star \diamond	22.5	2.5	4.6	1.9
SR201K20E	130	175	185	225	12000	7500	340	100	140	1700	1.0	Δ \star \diamond	22.5	2.8	4.7	2
SR221K20E	140	180	198	242	12000	7500	360	100	155	1600	1.0	Δ \star \diamond	22.5	3	4.8	2
SR241K20E	150	200	216	264	12000	7500	395	100	170	1500	1.0	Δ \star \diamond	22.5	3.2	4.9	2.2
SR271K20E	180	230	255	311	12000	7500	455	100	190	1300	1.0	Δ \star \diamond	22.5	3	4.9	2.3
SR301K20E	195	250	270	330	12000	7500	525	100	210	1200	1.0	Δ \star \diamond	22.5	3.2	5	2.1
SR331K20E	210	275	297	363	12000	7500	540	100	228	1100	1.0	Δ \star \diamond	22.5	3.2	5	2.2
SR361K20E	230	300	324	396	12000	7500	595	100	275	1050	1.0	Δ \star \diamond	22.5	3.3	5.4	2.3
SR391K20E	250	330	351	429	12000	7500	650	100	305	1000	1.0	Δ \star \diamond	22.5	3.5	5.5	2.4
SR431K20E	275	370	387	473	12000	7500	710	100	330	950	1.0	Δ \star \diamond	22.5	3.7	5.6	2.5
SR471K20E	300	385	423	517	12000	7500	775	100	350	900	1.0	Δ \star \diamond	22.5	3.9	5.5	2.7
SR511K20E	320	420	459	561	12000	7500	865	100	382	800	1.0	Δ \star \diamond	22.5	3.8	5.7	2.8
SR561K20E	360	470	522	638	12000	7500	960	100	395	760	1.0	Δ \star \diamond	22.5	4.1	5.9	3
SR621K20E	390	505	558	682	12000	7500	1040	100	410	710	1.0	Δ \star \diamond	22.5	4.4	6.2	3.2
SR681K20E	420	560	612	748	12000	7500	1120	100	423	670	1.0	Δ \star \diamond	22.5	4.7	6.5	3.4
SR751K20E	460	615	675	825	12000	7500	1240	100	435	620	1.0	Δ \star \diamond	22.5	4.7	6.8	3.4
SR781K20E	485	640	702	858	12000	7500	1290	100	450	580	1.0	Δ \star \diamond	22.5	4.8	7	3.5
SR821K20E	510	675	738	902	12000	7500	1350	100	460	530	1.0	Δ \star \diamond	24	4.8	7.2	3.6
SR911K20E	550	745	819	1001	12000	7500	1400	100	510	470	1.0	Δ \star \diamond	22.5	5.1	7.5	3.9
SR102K20E	625	725	900	1100	12000	7500	1620	100	560	425	1.0	Δ \star \diamond	22.5	5.4	7.9	4.2
SR112K20E	680	895	962	1175	12000	7500	1800	100	620	380	1.0	Δ \star \diamond	22.5	5.8	8.4	4.5

Remark:

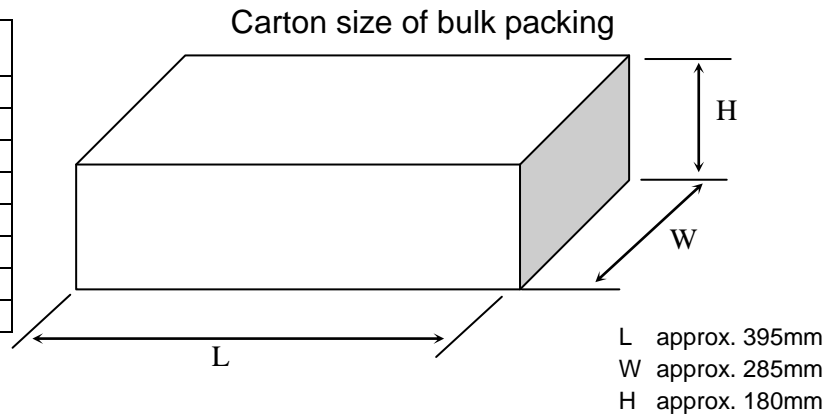
All parts approved as follows:

- (1) Δ : **UL 1449** recognized (File # E309297).
- (2) \star : **cUL (CSA 22.2 #1 certified)** (File # E309297).
- (3) \diamond : **VDE** (Certificate # 40003435)
- (4) **CQC** recognized for all part numbers (CQC04001010931)

Packing Method

A. Bulk Packing:

Disk size	Voltage BDV	Q'ty pcs/bag	Q'ty pcs/Carton
φ5	All	1000	10000
φ7	All	500	5000
φ10	180K-471K	500	5000
	Above 511K	300	3000
φ14	180K-751K	300	3000
	Above 781K	200	2000
φ20	180K-621K	100	1000
	Above 681K	50	500

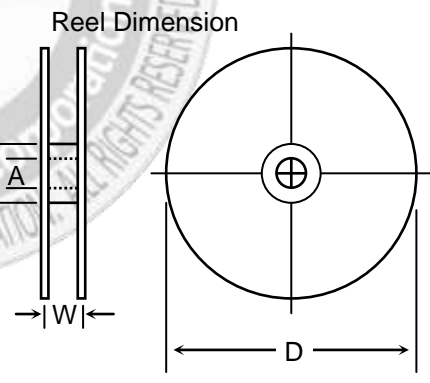
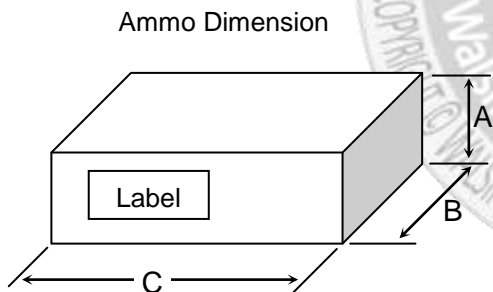


B. Tape and Reel:

Disk Size	Varistor Voltage	AMMO BOX		REEL		
		PCS / BOX	BOX / CARTON	PCS / REEL	REELS / BOX	BOX / CARTON
φ5	≥ 431K	1500	10	1500	2	5
φ5	≥ 471K	1000	10	1000	2	5
φ7	≥ 431K	1500	10	1500	2	5
φ7	≥ 471K	1000	10	1000	2	5
φ10	≥ 431K	500	10	500	2	5
φ10	≥ 471K	300	10	300	2	5
φ14	≥ 431K	500	8	500	2	5
φ14	≥ 471K	300	8	300	2	5
φ20	≥ 431K	500	8	500	2	5
φ20	≥ 471K	300	8	300	2	5

Note: Ammo box and reel quantities may vary. Please contact sales for details.

■ Dimensions of Ammo Box and Reel:



Disk size	A (max.)	B (max.)	C (max.)
φ5	50mm	270mm	350mm
φ7	50mm	270mm	350mm
φ10	70mm	270mm	370mm
φ14	70mm	270mm	370mm
φ20	70mm	270mm	370mm

W approx. 50mm
D 350φ max
A approx. 30φ
B approx. 95φ

■ Taping Code:

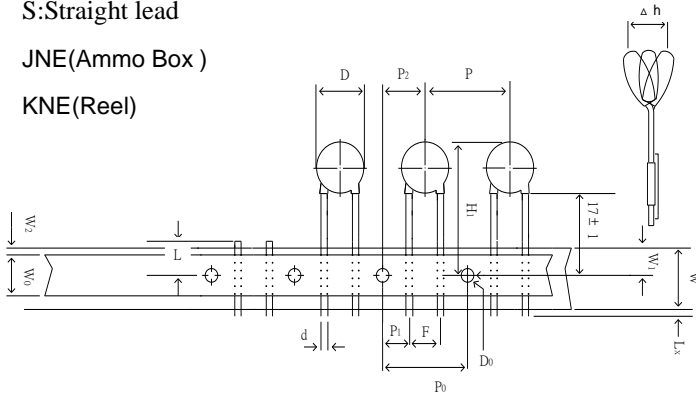
Disk size	Lead spacing	Packing type	Lead type			
			Straight	Outward crimped	Inward crimped	Inline crimped
φ5	5 mm	Ammo Reel	JNE	JNC	JNC	JNC
			KNE	KNC	KNC	KNC
φ7	5 mm	Ammo Reel	JNE	JNC	JNC	JNC
			KNE	KNC	KNC	KNC
φ10	7.5 mm	Ammo Reel	AMG	AMD	AMD	AMD
			TMG	TMD	TMD	TMD
φ14	7.5 mm	Ammo Reel	AMG	AMD	AMD	AMD
			TMG	TMD	TMD	TMD
φ20	7.5/10 mm	Ammo Reel	AMG	AMD	AMD	AMD
			TMG	TMD	TMD	TMD

Taping Specifications - 5 and 7

S: Straight lead

JNE(Ammo Box)

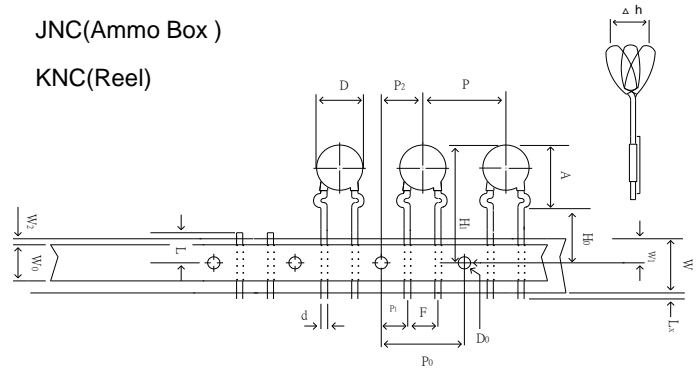
KNE(Reel)



O: Outward Crimped

JNC(Ammo Box)

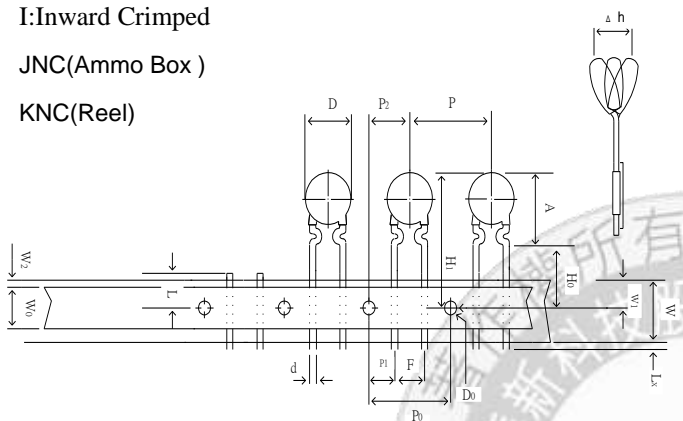
KNC(Reel)



I: Inward Crimped

JNC(Ammo Box)

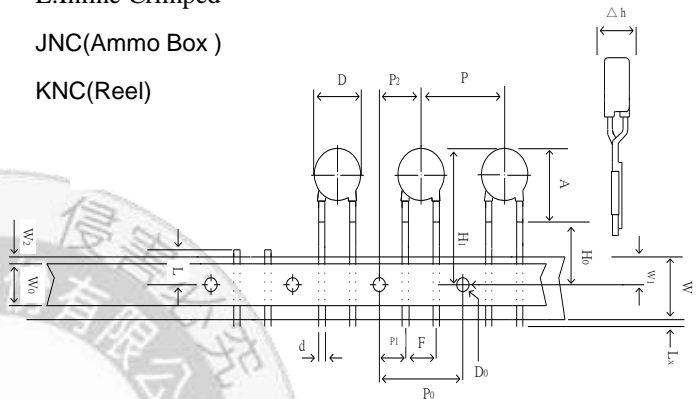
KNC(Reel)



L: Inline Crimped

JNC(Ammo Box)

KNC(Reel)



Item	Disk Size			
	5Φ (5D, 5E)		7Φ (7D, 7E)	
(Lead style) Taping Code	(S) JNE, KNE	(O · I · L) JNC, KNC	(S) JNE, KNE	(O · I · L) JNC, KNC
Body Diameter	D	7.0Max	7.0Max	9.5Max
Lead Wire Diameter	d	0.6±0.05	0.6±0.05	0.6±0.05
Pitch of Component	P	12.7±1	12.7±1	12.7±1
Feed Hole Pitch	P0	12.7±0.3	12.7±0.3	12.7±0.3
Feed Hole Center to Lead	P1	3.85±0.7	3.85±0.7	3.85±0.7
Lead to Lead Distance (Center to Center)	F	5.0±0.8	5.0±0.8	5.0±0.8
Component Alignment	Δh	2.0Max	2.0Max	2.0Max
Base paper Tape Width	W	18+1.0/-0.5	18+1.0/-0.5	18+1.0/-0.5
Adhesive Tape Width	W0	10Min	10Min	10Min
Hole Position	W1	9±0.5	9±0.5	9±0.5
Adhesive Tape Border	W2	1.5Max	1.5Max	1.5Max
Component Height	H1	28.5Max	29.0Max	30.0Max
Lead-Wire Clinch Height	H0	—	16±0.5	—
Lead-Wire Protrusion	Lx	1.0Max	1.0Max	1.0Max
Feed Hole Diameter	D0	4±0.2	4±0.2	4±0.2
Total Tape Thickness	t	< 0.7	< 0.7	< 0.7
Length of Clipped Lead	L	11Max	11Max	11Max
Component Height from Seating Plane	A	—	12.5Max	—
Hole Center to Component Center	P2	6.35±0.7	6.35±0.7	6.35±0.7

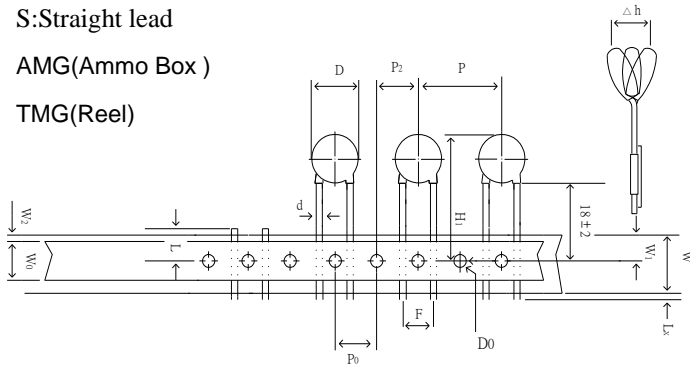
Based on EIA-468-B Specification
All dimensions are in millimeters.

Taping Specifications - 10 and 14

S: Straight lead

AMG(Ammo Box)

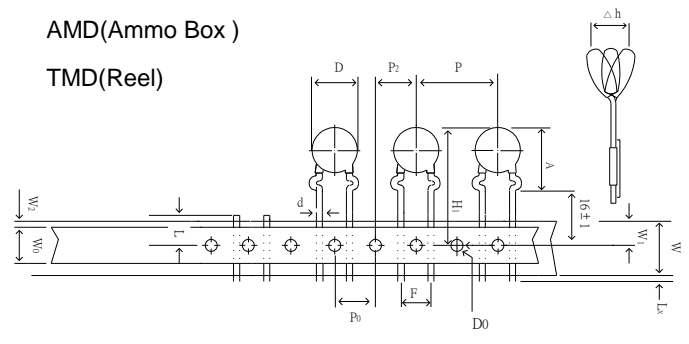
TMG(Reel)



O: Outward Crimped

AMD(Ammo Box)

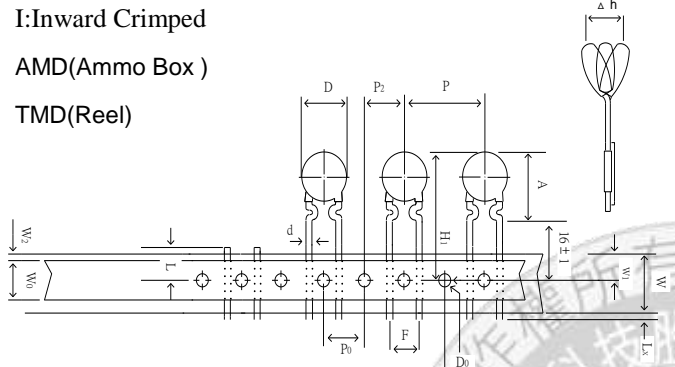
TMD(Reel)



I: Inward Crimped

AMD(Ammo Box)

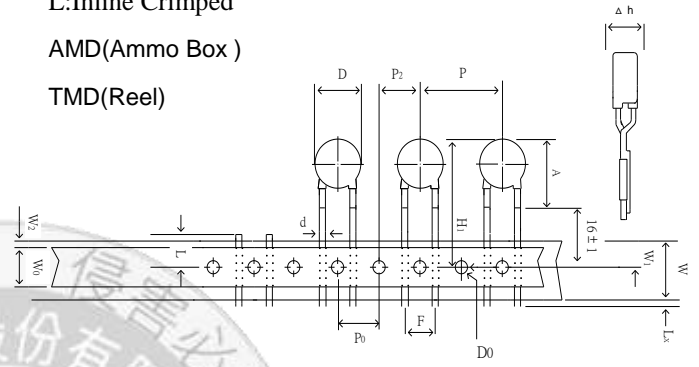
TMD(Reel)



L: Inline Crimped

AMD(Ammo Box)

TMD(Reel)



Item	Disk Size				
	10 Φ (10D, 10E)		14 Φ (14D, 14E)		
(Lead style)	(S)	(O · I · L)	(S)	(O · I · L)	
Taping Code	AMG, TMG	AMD, TMD	AMG, TMG	AMD, TMD	
Body Diameter	D	14.0Max	14.0Max	17.5Max	17.5Max
Lead Wire Diameter	d	0.8±0.05	0.8±0.05	0.8±0.05	0.8±0.05
Pitch of Component	P	25.4±1	25.4±1	25.4±1	25.4±1
Hole Center to Component Center	P ₂	12.7±1	12.7±1	12.7±1	12.7±1
Feed Hole Pitch	P ₀	12.7±0.3	12.7±0.3	12.7±0.3	12.7±0.3
Lead to Lead Distance (Center to Center)	F	7.5±0.8	7.5±0.8	7.5±0.8	7.5±0.8
Component Alignment	Δh	2.0Max	2.0Max	2.0Max	2.0Max
Base paper Tape Width	W	18+1.0/-0.5	18+1.0/-0.5	18+1.0/-0.5	18+1.0/-0.5
Adhesive Tape Width	W ₀	10Min	10Min	10Min	10Min
Hole Position	W ₁	9±0.5	9±0.5	9±0.5	9±0.5
Adhesive Tape Border	W ₂	1.5Max	1.5Max	1.5Max	1.5Max
Component Height	H ₁	37.0Max	36.0Max	40.5Max	39.5Max
Lead-Wire Protrusion	L _x	1.0Max	1.0Max	1.0Max	1.0Max
Feed Hole Diameter	D ₀	4±0.2	4±0.2	4±0.2	4±0.2
Total Tape Thickness	t	< 0.7	< 0.7	< 0.7	< 0.7
Length of Clipped Lead	L	11Max	11Max	11Max	11Max
Component Height from Seating Plane	A	—	19.0Max	—	22.5Max

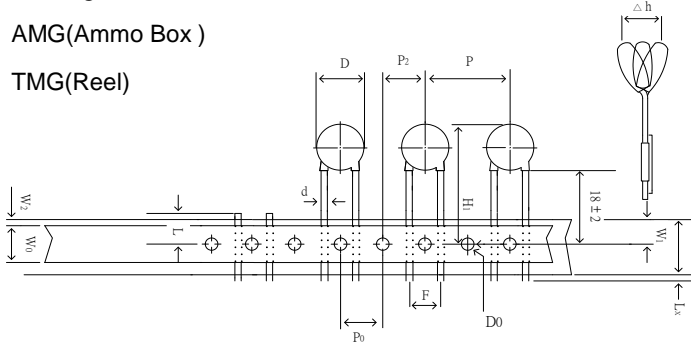
Based on EIA-468-B Specification
All dimensions are in millimeters.

Taping Specifications - 20

S: Straight lead

AMG (Ammo Box)

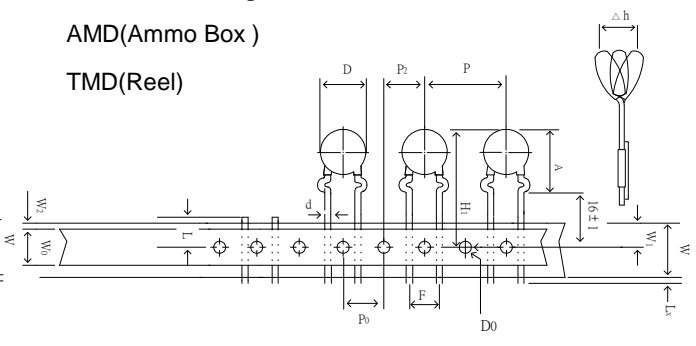
TMG (Reel)



O: Outward Crimped

AMD (Ammo Box)

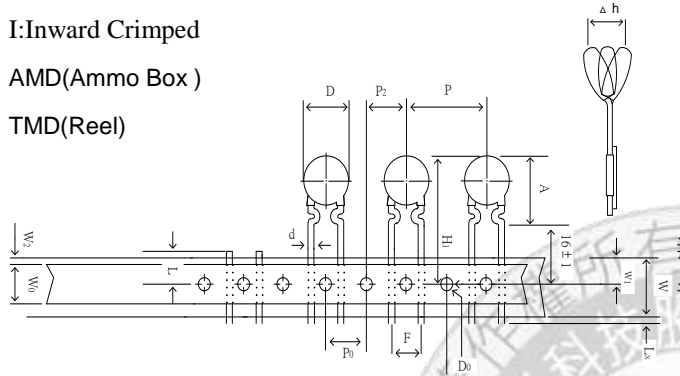
TMD (Reel)



I: Inward Crimped

AMD (Ammo Box)

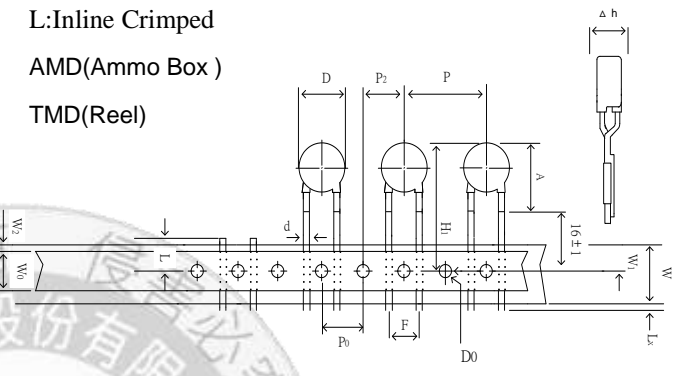
TMD (Reel)



L: Inline Crimped

AMD (Ammo Box)

TMD (Reel)

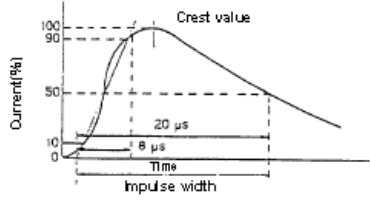


Item		Disk Size			
		20Φ (20D, 20E)		20Φ (20D, 20E)	
		Lead Spacing 7.5 mm		Lead Spacing 10.0 mm	
(Lead style)		(S)	(O · I · L)	(S)	(O · I · L)
Taping Code		AMG, TMG	AMD, TMD	AMG, TMG	AMD, TMD
Body Diameter	D	24.0Max	24.0Max	24.0Max	24.0Max
Lead Wire Diameter	d	0.8±0.05	0.8±0.05	1.0±0.05	1.0±0.05
Pitch of Component	P	25.4±1	25.4±1	25.4±1	25.4±1
Feed Hole Pitch	P0	12.7±0.3	12.7±0.3	12.7±0.3	12.7±0.3
Hole Center to Component Center	P2	12.7±1	12.7±1	12.7±1	12.7±1
Lead to Lead Distance (Center to Center)	F	7.5±0.8	7.5±0.8	10.0±0.8	10.0±0.8
Component Alignment	Δh	2.0Max	2.0Max	2.0Max	2.0Max
Base paper Tape Width	W	18+1.0/-0.5	18+1.0/-0.5	18+1.0/-0.5	18+1.0/-0.5
Adhesive Tape Width	W0	10Min	10Min	10Min	10Min
Hole Position	W1	9±0.5	9±0.5	9±0.5	9±0.5
Adhesive Tape Border	W2	1.5Max	1.5Max	1.5Max	1.5Max
Component Height	H1	48.0Max	46.0Max	48.0Max	46.0Max
Lead-Wire Protrusion	LX	1.0Max	1.0Max	1.0Max	1.0Max
Feed Hole Diameter	D0	4±0.2	4±0.2	4±0.2	4±0.2
Total Tape Thickness	t	< 0.7	< 0.7	< 0.7	< 0.7
Length of Clipped Lead	L	11Max	11Max	11Max	11Max
Component Height from Seating Plane	A	—	29.0Max	—	29.0Max

Based on EIA-468-B Specification

All dimensions are in millimeters.

Performance Characteristics

Characteristics	Test Method and Specifications		
Standard Test Condition	Temperature range : 5 to 35°C Relative humidity : 45 to 85% R.H.		
Varistor Voltage	Voltage across the varistor measured at 1 mA DC rectangular pulse current		
Maximum Allowable Voltage	Maximum continuous sinusoidal rms voltage or DC voltage which may be applied within the specified environmental temperature range		
Maximum Clamping Voltage	Peak voltage across the varistor under condition of a specified standard impulse current (8/20µs) <div style="text-align: right; margin-top: 10px;">  </div>		
Withstanding Surge Current	Maximum current across the varistor measured at a given standard waveform (8/20µs) applied one time or two times with the varistor voltage less than ±10%		
Rated Transient Average Power Dissipation	Maximum average power which may be dissipated due to a group of pulses occurring within a specified isolated time period, without causing device failure		
Maximum Energy	The maximum energy within the varistor voltage change of ±10% when one impulse of 2ms or 10/1000µs is applied		
Capacitance (Reference)	Capacitance between the terminals of the varistor measured at 1 kHz, 1 Vrms, zero bias and room temperature (Exception 100pF below measured at 1MHz)		
Temperature Coefficient of Varistor Voltage	$\frac{V_{1mA \text{ at } 85^\circ\text{C}} - V_{1mA \text{ at } 25^\circ\text{C}}}{V_{1mA \text{ at } 25^\circ\text{C}}} \times \frac{1}{60} \times 100 (\%/^\circ\text{C})$ $\frac{V_{1mA \text{ at } -40^\circ\text{C}} - V_{1mA \text{ at } 25^\circ\text{C}}}{V_{1mA \text{ at } 25^\circ\text{C}}} \times \frac{1}{65} \times 100 (\%/^\circ\text{C})$ should be less than ±0.05(%/°C)		
Withstanding Voltage (Body insulation)	The specified voltage shall be applied between both terminals of the specimen connected together and metal foil closely wrapped round its body for 1 minute without breakdown <table border="1" style="margin-left: auto; margin-right: auto; border-collapse: collapse; width: 60%;"> <tr> <td style="padding: 5px;">Classification (Varistor Voltage) V_{1mA}</td> <td style="padding: 5px;">Test Voltage (AC) 2500 Vac</td> </tr> </table>	Classification (Varistor Voltage) V_{1mA}	Test Voltage (AC) 2500 Vac
Classification (Varistor Voltage) V_{1mA}	Test Voltage (AC) 2500 Vac		

Performance Characteristics

Characteristics	Test Method and Specifications																																																												
Impulse Life	The variation of varistor voltage should less than $\pm 10\%$ after the impulse listed below is applied 10000 times continuously with the interval of 10 sec at room temperature																																																												
	<table border="1" style="margin: auto; border-collapse: collapse;"> <tbody> <tr> <td style="text-align: center;">5D</td> <td style="text-align: center;">SR180K05D TO SR680K05D</td> <td style="text-align: center;">4A(2ms)</td> </tr> <tr> <td style="text-align: center;">series</td> <td style="text-align: center;">SR820K05D TO SR681K05D</td> <td style="text-align: center;">16A(8/20μS)</td> </tr> <tr> <td style="text-align: center;">7D</td> <td style="text-align: center;">SR180K07D TO SR680K07D</td> <td style="text-align: center;">10A(8/20μS)</td> </tr> <tr> <td style="text-align: center;">series</td> <td style="text-align: center;">SR820K07D TO SR681K07D</td> <td style="text-align: center;">48A(8/20μS)</td> </tr> <tr> <td style="text-align: center;">10D</td> <td style="text-align: center;">SR180K10D TO SR680K10D</td> <td style="text-align: center;">20A(8/20μS)</td> </tr> <tr> <td style="text-align: center;">series</td> <td style="text-align: center;">SR820K10D TO SR112K10D</td> <td style="text-align: center;">100A(8/20μS)</td> </tr> <tr> <td style="text-align: center;">14D</td> <td style="text-align: center;">SR180K14D TO SR680K14D</td> <td style="text-align: center;">40A(8/20μS)</td> </tr> <tr> <td style="text-align: center;">series</td> <td style="text-align: center;">SR820K14D TO SR112K14D</td> <td style="text-align: center;">180A(8/20μS)</td> </tr> <tr> <td style="text-align: center;">20D</td> <td style="text-align: center;">SR180K20D TO SR680K20D</td> <td style="text-align: center;">80A(8/20μS)</td> </tr> <tr> <td style="text-align: center;">series</td> <td style="text-align: center;">SR820K20D TO SR112K20D</td> <td style="text-align: center;">260A(8/20μS)</td> </tr> </tbody> </table> <table border="1" style="margin: auto; border-collapse: collapse;"> <tbody> <tr> <td style="text-align: center;">5E</td> <td style="text-align: center;">SR820K05E TO SR681K05E</td> <td style="text-align: center;">32A(8/20μS)</td> </tr> <tr> <td style="text-align: center;">series</td> <td></td> <td></td> </tr> <tr> <td style="text-align: center;">7E</td> <td style="text-align: center;">SR820K07E TO SR681K07E</td> <td style="text-align: center;">70A(8/20μS)</td> </tr> <tr> <td style="text-align: center;">series</td> <td></td> <td></td> </tr> <tr> <td style="text-align: center;">10E</td> <td style="text-align: center;">SR820K10E TO SR112K10E</td> <td style="text-align: center;">140A(8/20μS)</td> </tr> <tr> <td style="text-align: center;">series</td> <td></td> <td></td> </tr> <tr> <td style="text-align: center;">14E</td> <td style="text-align: center;">SR820K14E TO SR112K14E</td> <td style="text-align: center;">240A(8/20μS)</td> </tr> <tr> <td style="text-align: center;">series</td> <td></td> <td></td> </tr> <tr> <td style="text-align: center;">20E</td> <td style="text-align: center;">SR820K20E</td> <td style="text-align: center;">400A(8/20μS)</td> </tr> <tr> <td style="text-align: center;">series</td> <td style="text-align: center;">SR181K20E TO SR112K20E</td> <td style="text-align: center;">480A(8/20μS)</td> </tr> </tbody> </table>	5D	SR180K05D TO SR680K05D	4A(2ms)	series	SR820K05D TO SR681K05D	16A(8/20 μ S)	7D	SR180K07D TO SR680K07D	10A(8/20 μ S)	series	SR820K07D TO SR681K07D	48A(8/20 μ S)	10D	SR180K10D TO SR680K10D	20A(8/20 μ S)	series	SR820K10D TO SR112K10D	100A(8/20 μ S)	14D	SR180K14D TO SR680K14D	40A(8/20 μ S)	series	SR820K14D TO SR112K14D	180A(8/20 μ S)	20D	SR180K20D TO SR680K20D	80A(8/20 μ S)	series	SR820K20D TO SR112K20D	260A(8/20 μ S)	5E	SR820K05E TO SR681K05E	32A(8/20 μ S)	series			7E	SR820K07E TO SR681K07E	70A(8/20 μ S)	series			10E	SR820K10E TO SR112K10E	140A(8/20 μ S)	series			14E	SR820K14E TO SR112K14E	240A(8/20 μ S)	series			20E	SR820K20E	400A(8/20 μ S)	series	SR181K20E TO SR112K20E	480A(8/20 μ S)
	5D	SR180K05D TO SR680K05D	4A(2ms)																																																										
	series	SR820K05D TO SR681K05D	16A(8/20 μ S)																																																										
	7D	SR180K07D TO SR680K07D	10A(8/20 μ S)																																																										
	series	SR820K07D TO SR681K07D	48A(8/20 μ S)																																																										
	10D	SR180K10D TO SR680K10D	20A(8/20 μ S)																																																										
	series	SR820K10D TO SR112K10D	100A(8/20 μ S)																																																										
	14D	SR180K14D TO SR680K14D	40A(8/20 μ S)																																																										
	series	SR820K14D TO SR112K14D	180A(8/20 μ S)																																																										
	20D	SR180K20D TO SR680K20D	80A(8/20 μ S)																																																										
	series	SR820K20D TO SR112K20D	260A(8/20 μ S)																																																										
	5E	SR820K05E TO SR681K05E	32A(8/20 μ S)																																																										
	series																																																												
	7E	SR820K07E TO SR681K07E	70A(8/20 μ S)																																																										
	series																																																												
	10E	SR820K10E TO SR112K10E	140A(8/20 μ S)																																																										
	series																																																												
	14E	SR820K14E TO SR112K14E	240A(8/20 μ S)																																																										
	series																																																												
20E	SR820K20E	400A(8/20 μ S)																																																											
series	SR181K20E TO SR112K20E	480A(8/20 μ S)																																																											

Mechanical Ratings

Characteristics	Test Method and Specifications								
Terminal Pull Strength	<p>IEC60068-2-21</p> <p>The two terminals shall be no outstanding damage visually after gradually applying the force listed below</p> <table border="1"> <thead> <tr> <th>Terminal Diameter</th> <th>Force</th> </tr> </thead> <tbody> <tr> <td>0.6mm</td> <td>9.8 N (1.0kaf)</td> </tr> <tr> <td>0.8mm</td> <td>9.8 N (1.0kaf)</td> </tr> <tr> <td>1.0mm</td> <td>19.6 N (2.0kaf)</td> </tr> </tbody> </table>	Terminal Diameter	Force	0.6mm	9.8 N (1.0kaf)	0.8mm	9.8 N (1.0kaf)	1.0mm	19.6 N (2.0kaf)
Terminal Diameter	Force								
0.6mm	9.8 N (1.0kaf)								
0.8mm	9.8 N (1.0kaf)								
1.0mm	19.6 N (2.0kaf)								
Terminal Bending Strength	<p>IEC60068-2-21</p> <p>Hold the specimen and keep its lead-out axis vertical Suspend 1 Kg weight on the terminal. Bend the specimen through 90° then return to the original position. Repeat the procedure in the opposite direction. Test and examine every terminal</p>								
Vibration	<p>IEC 61051-1</p> <p>Varistors subjected to simple harmonic motion of 0.75mm amplitude between limits of 10-55 HZ. Frequency scan shall be traversed in 1 min. This motion shall then be applied for period of 2 Hrs in each of three mutually perpendicular directions. Thereafter, varistors shall be no outstanding damage visually</p>								
Solderability	<p>IEC60068-2-20</p> <p>The two terminals shall be covered uniformly with solder approximately 95% after dipping the terminals to a depth of approximately 3 mm from the body in a soldering bath of 245±3°C for 3±0.5 sec.</p>								
Resistance to Soldering Heat	<p>IEC60068-2-20</p> <p>Varistors shall be no outstanding damage and the variation varistor voltage should be less than ±5% ($\Delta V_B/V_B = \pm 5\%$) after each lead shall be dipped into a solder bath having a temperature 260±3°C to a point 2.0 to 2.5 mm from the body of the unit, using the shielding board (thickness 1.5 mm), be held there for a specified time(5D series 5±1sec.the other series 10±1sec), and then be stored at room ambient for 1 to 2 Hrs.</p>								
Dry Heat (High Temperature)	<p>IEC60068-2-2</p> <p>Varistors shall be subjected to 125±2°C, for 1000 Hrs in a thermostatic bath without load and then stored at room ambient condition for 1 to 2 Hrs. The variation of varistor voltage should be less than±5% ($V_B/V_B = \pm 5\%$) .</p>								

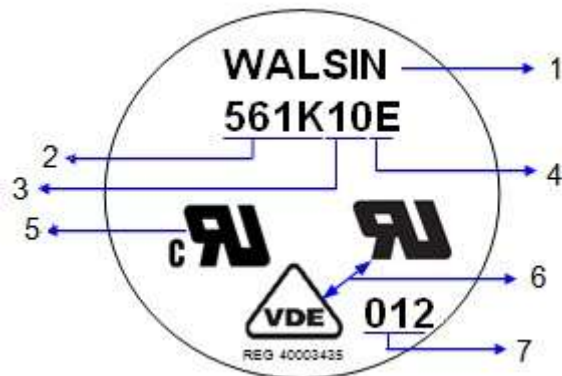
Environment and Endurance Rating

Characteristics	Test Method and Specifications															
Dry Heat (High Temperature)	IEC60068-2-2 Varistors shall be subjected to $125\pm 2^{\circ}\text{C}$, for 1000 Hrs in a thermostatic bath without load and then stored at room ambient condition for 1 to 2 Hrs. The variation of varistor voltage should be less than $\pm 5\%$ ($V_B/V_B = \pm 5\%$).															
Damp Heat (Humidity)	IEC60068-2-3 Varistors shall be subjected to $40\pm 2^{\circ}\text{C}$, 90 to 95%R.H. for 1000 Hrs in a thermostatic bath a: without loading b: loading at 10% Vdc then stored at room ambient condition for 1 to 2 Hrs. The variation of varistor voltage should be less than $\pm 10\%$ ($V_B/V_B = \pm 10\%$)															
Cold (Low Temperature Storage)	CECC42000 Varistors shall be subjected to $-40\pm 2^{\circ}\text{C}$ for 1000 Hrs in a thermostatic bath without load and then stored at room ambient condition for 1 to 2 Hrs. The variation of varistor voltage should be less than $\pm 5\%$ ($V_B/V_B = \pm 5\%$).															
Temperature Cycle (Thermal shock)	IEC60068-2-447 The temperature cycling listed below shall be repeated 5 times and the variation of varistor voltage should be less than $\pm 5\%$ and no outstanding damage visually. <table border="1" style="margin-left: auto; margin-right: auto;"> <thead> <tr> <th>Step</th> <th>Temperature($^{\circ}\text{C}$)</th> <th>Time(minutes)</th> </tr> </thead> <tbody> <tr> <td>1</td> <td>-40 ± 2</td> <td>30 ± 2</td> </tr> <tr> <td>2</td> <td>Room Temp.</td> <td>3 max.</td> </tr> <tr> <td>3</td> <td>125 ± 2</td> <td>30 ± 2</td> </tr> <tr> <td>4</td> <td>Room Temp.</td> <td>3 max.</td> </tr> </tbody> </table>	Step	Temperature($^{\circ}\text{C}$)	Time(minutes)	1	-40 ± 2	30 ± 2	2	Room Temp.	3 max.	3	125 ± 2	30 ± 2	4	Room Temp.	3 max.
Step	Temperature($^{\circ}\text{C}$)	Time(minutes)														
1	-40 ± 2	30 ± 2														
2	Room Temp.	3 max.														
3	125 ± 2	30 ± 2														
4	Room Temp.	3 max.														
Dry Heat Load (High Temperature)	IEC61051-4.20 Varistors shall be subjected to $85\pm 2^{\circ}\text{C}$ for 1000 Hrs in a thermostatic bath with maximum allowable voltage continuously applied and then stored at room ambient condition for 1 to 2 Hrs. The variation of varistor voltage should be less than $\pm 10\%$ ($V_B/V_B = \pm 10\%$)															
Pulse current (8/20 μs)	IEC61051-2-2 10 pulses 8/20 μs in the same direction at 2 pulses per min, at the maximum peak current defined for 100 pulse Visual examination no visible damage Voltage at reference current : $v/v \leq 10\%$															
Pulse current (10/1000 μs)	Pulse current (10/1000 μs) IEC61051-2-2 10 pulses at 10/1000 μs , in the same direction at 1 pulse every 2 minutes, at the maximum peak current defined for 100 pulse varistors shall be no outstanding damage visually and the variation of varistor voltage should be less than $\pm 10\%$ ($V_B/V_B = \pm 10\%$)															

Marking & Materials

■ **Marking:**

For example : SR561K10E



1	Company brand name	WALSIN
2	Varistor voltage and tolerance	561K:515 ~ 627Vdc
3	Disk size	10: 10 mm
4	Disk type	E: E Series
5.6	Safety approval	
7	Date code(Year and Week)	012:The 12 th week in 2020

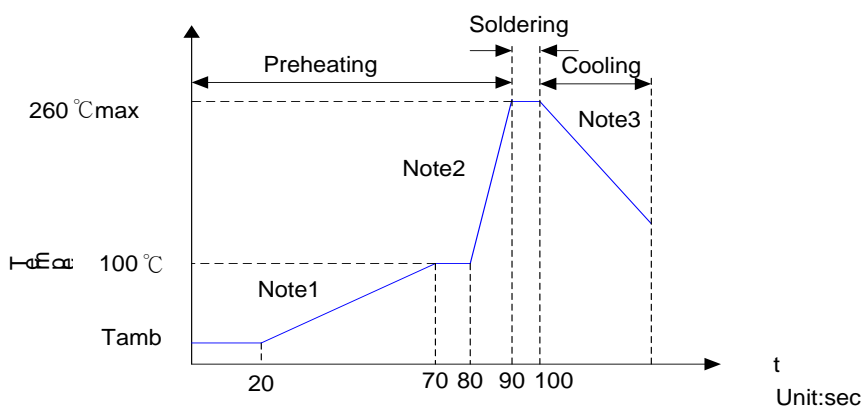
■ **Materials:**

- 1. Ceramic Disk : Zinc Oxide Varistor
- 2. Electrode Material : Lead free Ag Paste
- 3. Coating Material : Lead free Epoxy Resin
- 4. Lead Material : Tinned Copper Clad Steel Wire

Metal Oxide Varistor (MOV)

■ Wave Soldering Profile

Soldering Profile for Lead Free Type



- Time
 Note 1 : (1~3) °C/sec
 Note 2 : (10~30) °C/sec
 Note 3 : 5 °C/sec Max

Recommended Rewoking Conditions with Soldering Iron

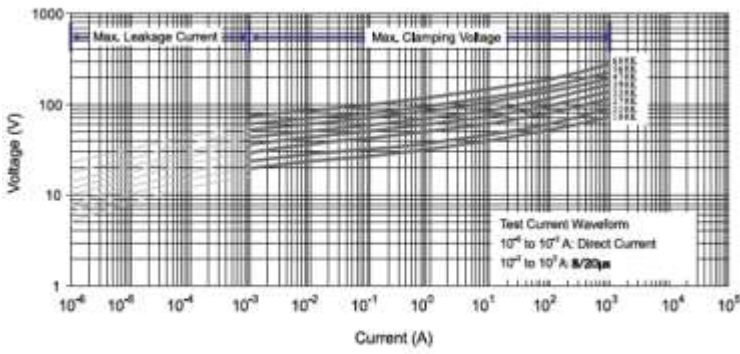
Item	Conditions
Temperature of Soldering Iron-tip	360°C (max)
Soldering Time	3sec(max)
Distance from Varistor	2mm(min)

■ RoHs Compliant Declaration

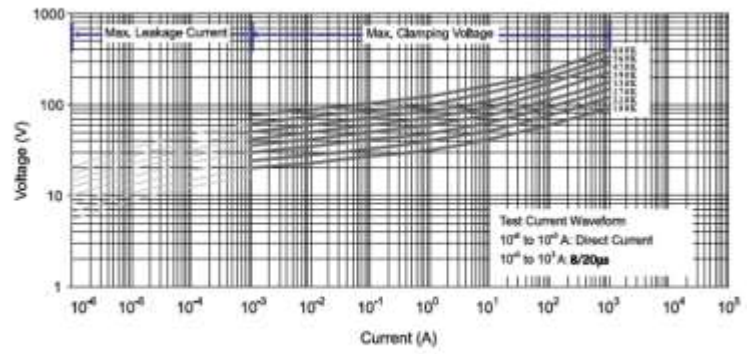
We hereby declare that the components delivered to your company are compliant with RoHs Directive 2002/95/EC

V-I Curve 5 and 7

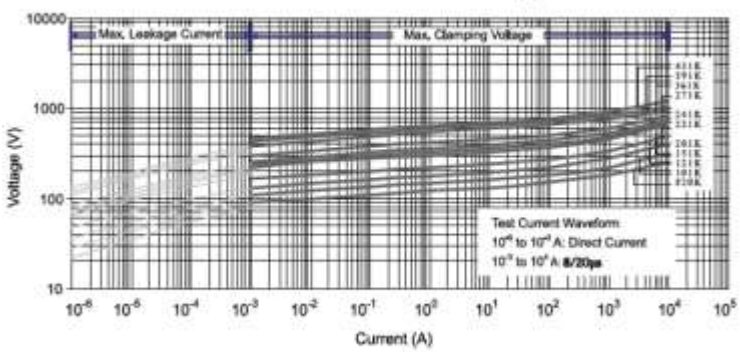
V-I Curve for SR180K~680K05D(E) Series



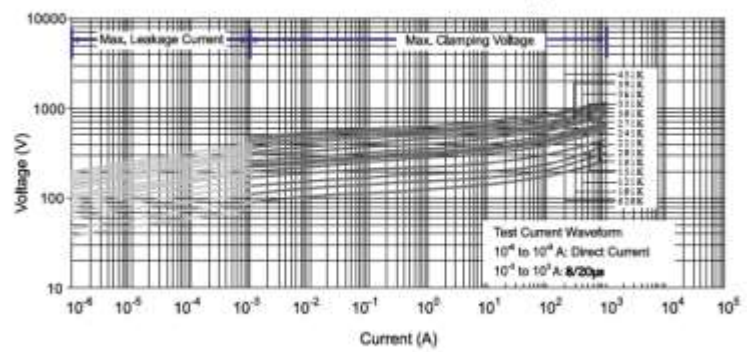
V-I Curve for SR180K~680K07D(E) Series



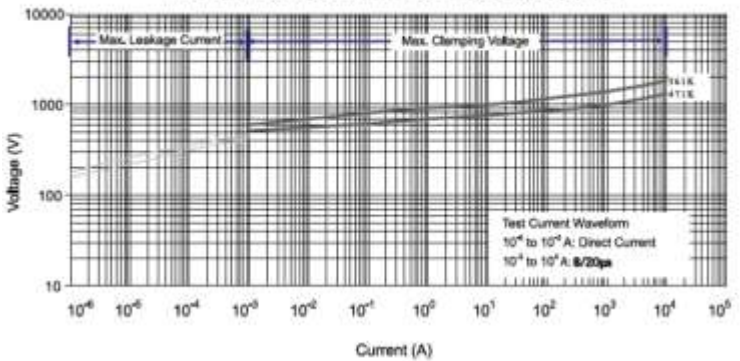
V-I Curve for SR820K~431K05D(E) Series



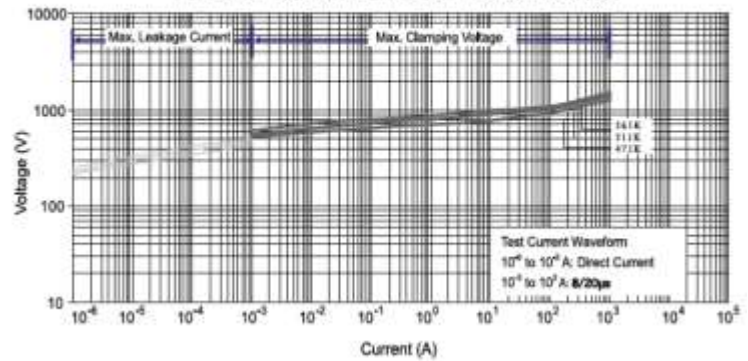
V-I Curve for SR820K~431K07D(E) Series



V-I Curve for SR471K~561K05D(E) Series

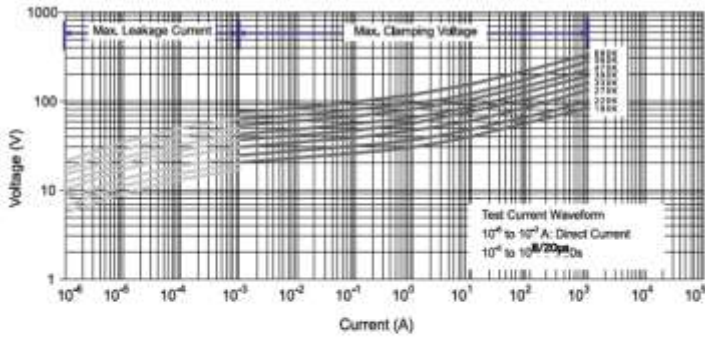


V-I Curve for SR471K~561K07D(E) Series

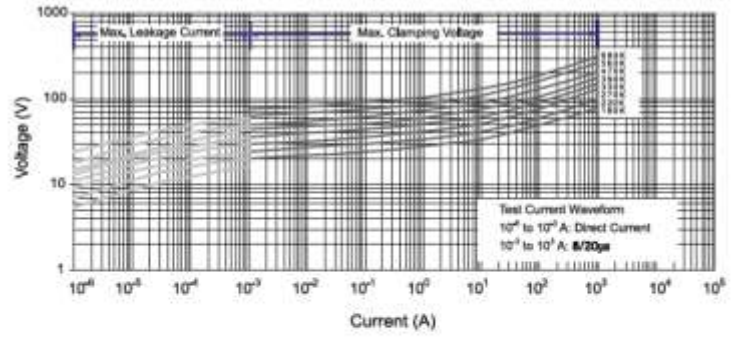


V-I Curve 10 and 14

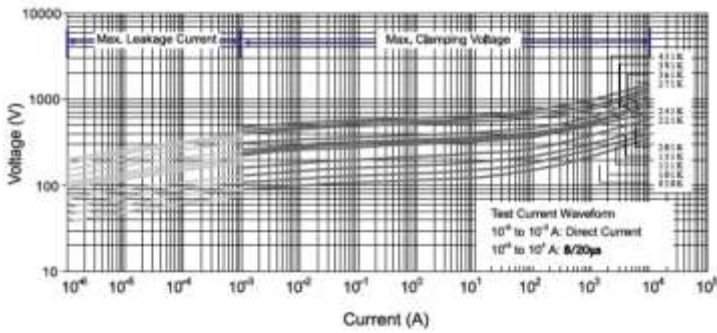
V-I Curve for SR180K~680K10D(E) Series



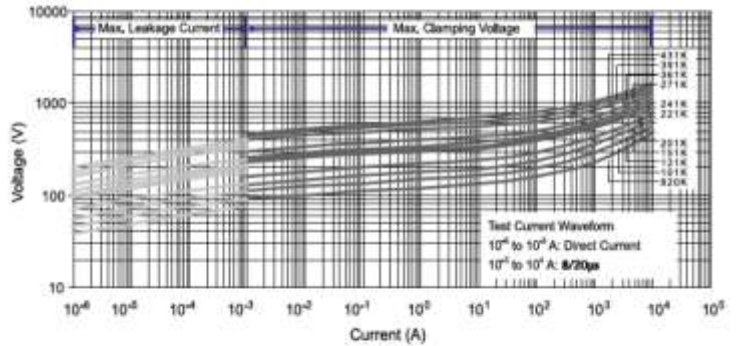
V-I Curve for SR180K ~ 680K14D(E) Series



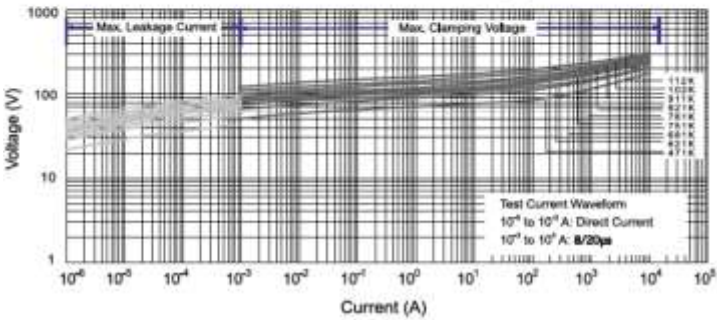
V-I Curve for SR820K ~ 431K10D(E) Series



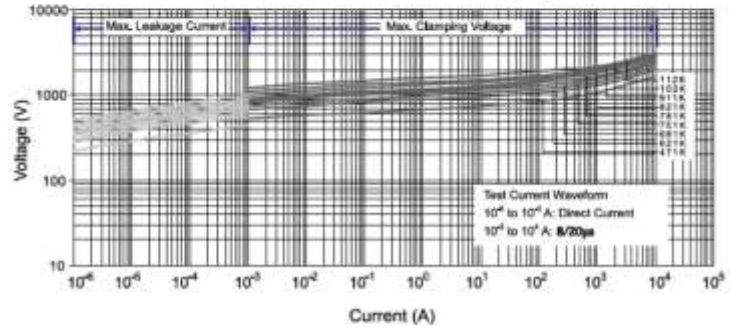
V-I Curve for SR820K~431K14D(E) Series



V-I Curve for 471K~112K10D (E) Series

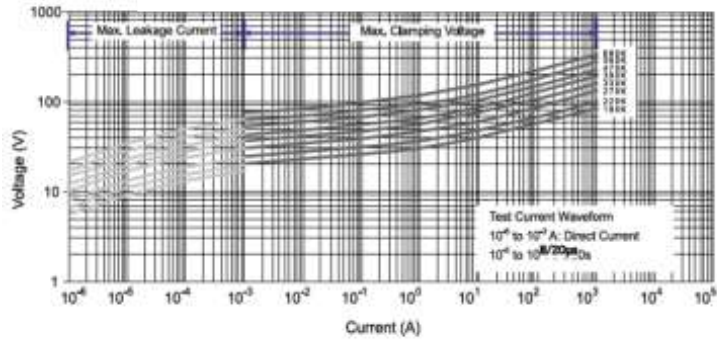


V-I Curve for SR471K ~ 112K14D(E) Series

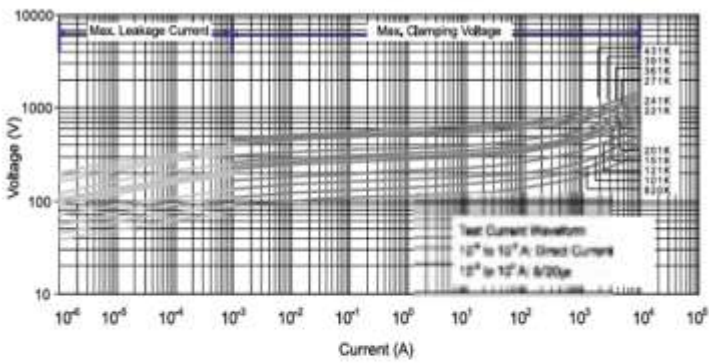


V-I Curve 20

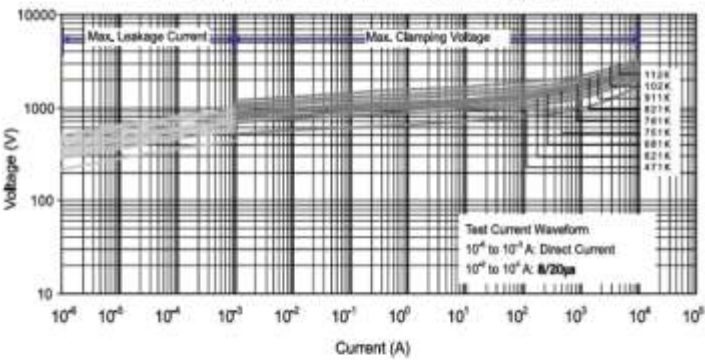
V-I Curve for SR180K~680K20D(E)Series



V-I Curve for SR820K~ 431K20DE Series



V-I Curve for SR471K~ 112K20D(E) Series



The Process Control of Varistor

<u>Process</u>	<u>Inspection Items</u>	<u>Control Method</u>
Raw materials	Product line test	IQC report
Weighing	Weight Weighing accuracy control	Record check Periodical calibration
Wet mixing	Solid content Mixing time	Record and check
Spray drying	Rheology and viscosity of slurry Slurry density Spray drying conditions	Record and check
Granulated powder	Moisture content, flowability, Tap density	Sampling test
Forming	Dimension of green body Weight of green body	Record and check
Binder Burn-out	Burn-out temperature and time	Record and check
Sintering	Sintering profile	Automatic record and monitor Record and check
Electrode applying	Heat treating temperature, time, Visual inspection	Record and check
Electrical test	Vb. Leakage current, clamping Voltage, capacitance	Every batch by sampling
Soldering & Coating	Temperature and visual inspection	Every batch
Marking	Visual inspection	Every batch
Final test	Electrical: Vb, leakage current, alpha	Every batch 100%
Cutting Leads	Visual inspection, Lead length	Every batch 100%
Quality control	Vb, leakage current, alpha, Clamping voltage, surge test, Dimension, solderability	Every batch sampling
Packing & Shipment	PO #, Customer name, Quantity, P/N, address	Every shipment

Manufacturing location

Pan Overseas (Guangzhou) Electronics Co., Ltd.

No. 277, Hongming Road, Eastern Section, Huangpu District, Guangzhou, China

Tel: +86-20-82237476

Fax: +86-20-82237475

